

## CLASSIC 3D 80 FASTENING MECHANISMS

### Functions

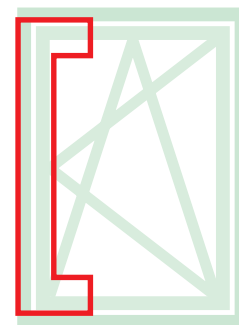
Tilt-and-turn window fastening mechanisms for cremone or window handle, available in Base and Logica versions.

### Materials

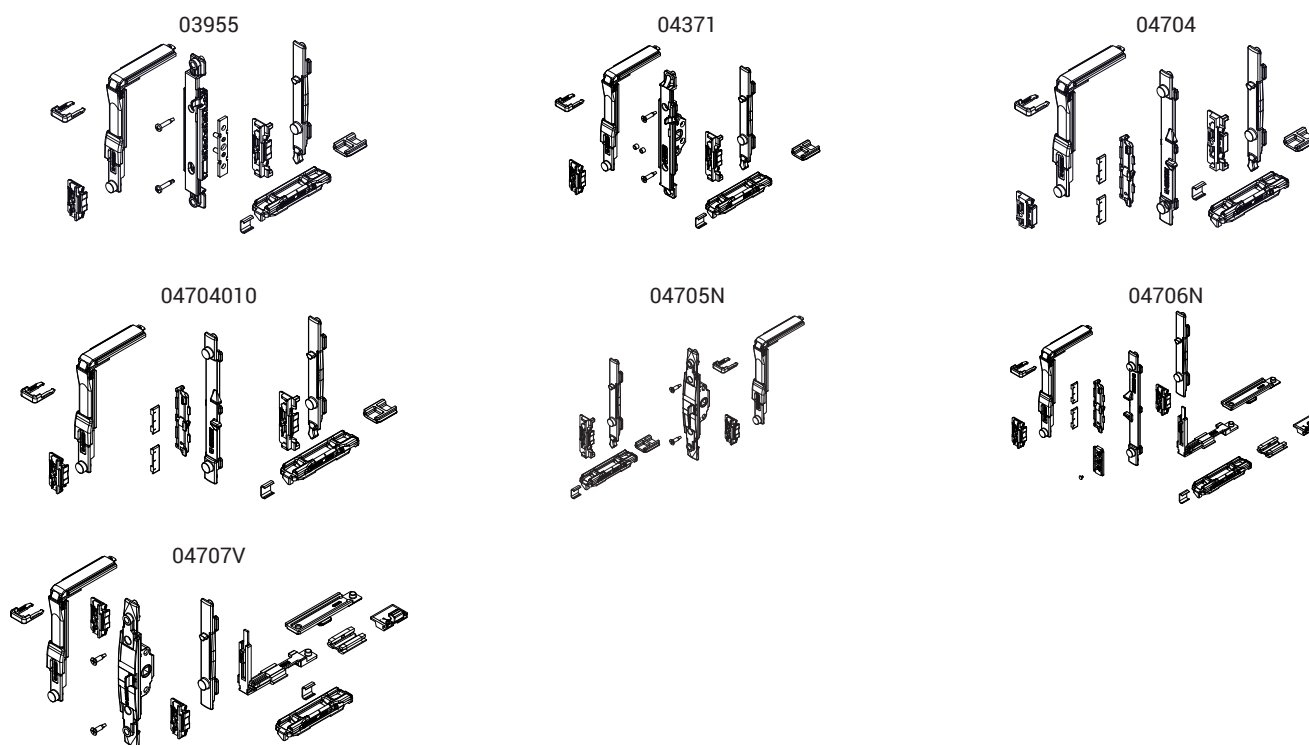
Drive, drive rod, mechanism bolt tip and strikers in zamak with GS Silver Plus finish (up to 500 h of corrosion resistance).

Screws and grub screws in stainless steel.

Polyamide raiser.



Online data sheet



Item code	Description	PROFILE CROSS - SECTION	Window handle	Version	Base Raw	Anodised Elox	Painted	Trend/Gold Brass	Pieces per pack
03955	NP SUPRA - T&T MECHANISM	C001-C002-C003-C005-C006-C013-C014-C015-C017	NP Supra	-	X				10
04371	FASTENING MECHANISM T/T MOVEMENT M 180	see Where Used	Window handle	-	X				10
04704	T/T FASTENING MECHANISM	C001-C002-C003-C005-C006-C013-C014-C015-C016-C017	Cremona	-	X				10
04704010	T/T FASTENING MECHANISM	C001-C003	Cremona	-	X				10
04705N	T/T M 180 FASTENING MECHANISM	C001-C002-C003-C005-C006-C013-C014-C015-C016-C017	Window handle	-	X				10
04706N	T/T LOGICA FASTENING MECHANISM	C001-C002-C003-C005-C006-C013-C014-C015-C016-C017	Cremona	Logica	X				10
04707V	T/T M 180 LOGICA FASTENING MECHANISM	C001-C002-C003-C005-C006-C013-C014-C015-C016-C017	Window handle	Logica	X				10