

CLASSIC 3D 80 INDUSTRIAL FASTENING MECHANISMS

Functions

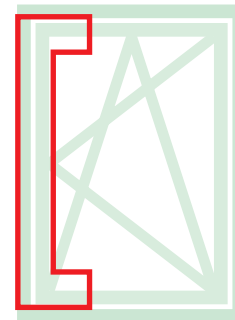
Tilt-and-turn window fastening mechanisms for cremone or window handle, available in Base and Logica versions.

Materials

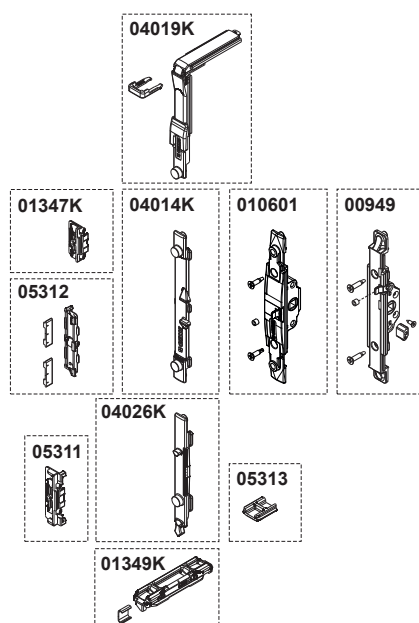
Drive, drive rod, mechanism bolt tip and strikers in zamak with GS Silver Plus finish (up to 500 h of corrosion resistance).

Screws and grub screws in stainless steel.

Polyamide raiser.



Online data sheet



Item code	Description	PROFILE CROSS - SECTION	Base Raw	Anodised Elox	Painted	Trend/Gold Brass	Pieces per pack
00949	ONE-WAY MECHANISM M180	C001-C002-C003-C004-C005-C006-C012-C013-C014-C015-C016-C017	X				10
0106101	ONE-WAY MECHANISM	C001-C002-C003-C004-C005-C006-C012-C013-C014-C015-C016-C017	X				10
01347K	SINGLE ADJUSTABLE STRIKER	C001-C002-C003-C005-C011-C013-C014-C015-C016-C017-P001-P002-P004-P005-P006-P008-P009	X				200
01349K	ZAMAK DOUBLE STRIKER	C001-C002-C003-C004-C006-C011-C010-C011-C013-C014-C015	X				100
04014K	FUTURA T/T DRIVE ROD	C001-C002-C003-C004-C005-C006-C013-C014-C015-C016-C017	X				10
04019K	CORNER DRIVE GROOVE 15/20 FUTURA	C001-C002-C003-C005-C006-C013-C014-C015-C016-C017	X				10
04026K	FUTURA T/T BOLT TIP	C001-C002-C003-C005-C006-C013-C014-C015-C017	X				10
05311	TILT-AND-TURN WINDOW - ANTI-FALL STRIKER	C001-C002-C004-C005-C006-C013-C014-C015-C016-C017	X				50
05312	TILT-AND-TURN WINDOW - INCORRECT MOVEMENT SAFETY DEVICE STRIKER	C001-C002-C004-C005-C006-C013-C014-C015-C016-C017	X				50
05313	SASH-RAISER	C001-C002-C004-C005-C006-C013-C014-C015-C016-C017	X				50