

FUTURA 3D 80 ALUMINIUM-WOOD FASTENING MECHANISMS

Functions

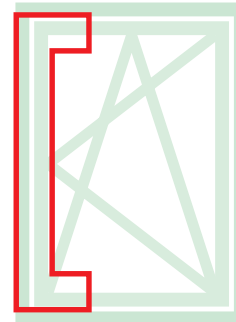
Tilt-and-turn window fastening mechanisms for cremone or window handle, available in Base and Logica versions.

Materials

Drive, drive rod, mechanism bolt tip and strikers in zamak with GS Silver Plus finish (up to 500 h of corrosion resistance).

Screws and grub screws in stainless steel.

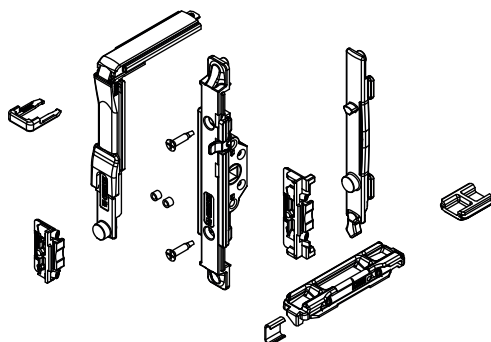
Polyamide raiser.



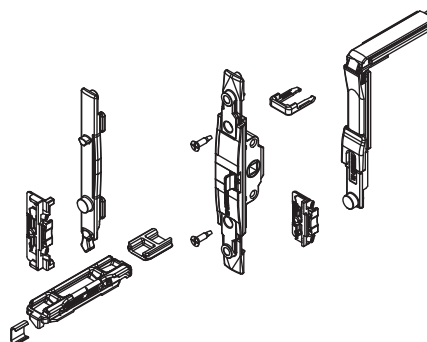
Online data sheet



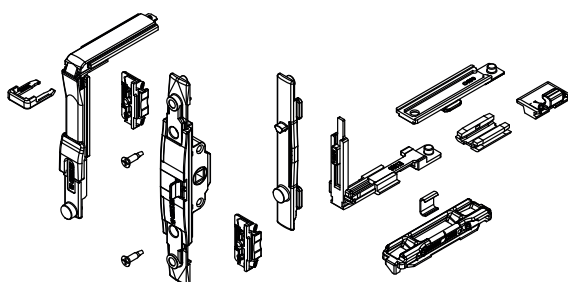
04371



04705N



04707V



Item code	Description	PROFILE CROSS - SECTION	Window handle	Version	Base raw	Anodised Elox	Painted	Trend/Gold Brass	Pieces per pack
04371	FASTENING MECHANISM T/T MOVEMENT M 180	see Where Used	Window handle	-	X				10
04705N	T/T M 180 FASTENING MECHANISM	C001-C002-C003-C005-C006-C013-C014-C015-C016-C017	Window handle	-	X				10
04707V	T/T M 180 LOGICA FASTENING MECHANISM	C001-C002-C003-C005-C006-C013-C014-C015-C016-C017	Window handle	Logica	X				10