

## OS OPERATOR MECHANISMS

**Functions**

Two-handed mechanism that moves the sash of a Top or Side Hung aluminium casement, creating 2 locking points on the casement.

Online data sheet

**Technical Features**

The mechanism is available in two versions:

- standard (overall size of mechanism 725 mm)
- reduced for small doors (overall size of mechanism 466.5 mm) available both left and right.

For particularly high side hung windows or very wide top hung windows it is possible to connect the extension to both sides of the mechanism.

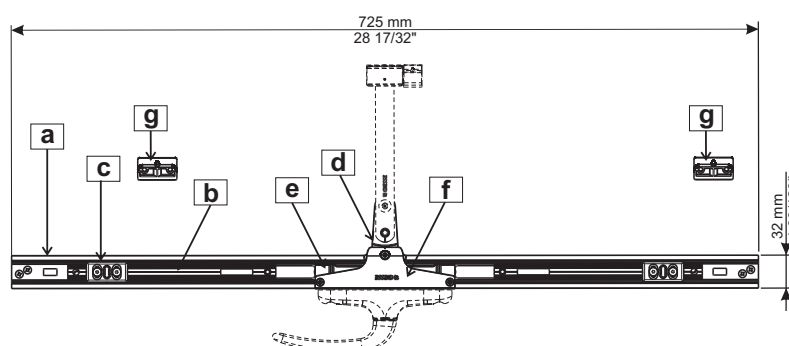
**Locking point adjustment**

You can adjust the 2 locking points both in compression ( $\pm 3.2$  mm) and side ( $\pm 3$  mm).

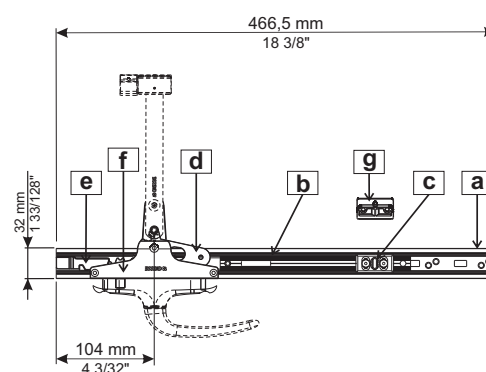
**Materials**

- a) Main body (guide), in extruded aluminium, silver anodized
- b) Internal rod, in extruded aluminium, silver anodized
- c) Adjustable pawl, in zamak, Giesse Silver Plus
- d) Pinion, in 304 grade stainless steel
- e) Rack drive rod, in 304 stainless steel
- f) Casing, in Giesse Silver Plus zamak
- g) Frame striker, in zamak, Giesse Silver Plus
- Fixing screws in 304 grade stainless steel

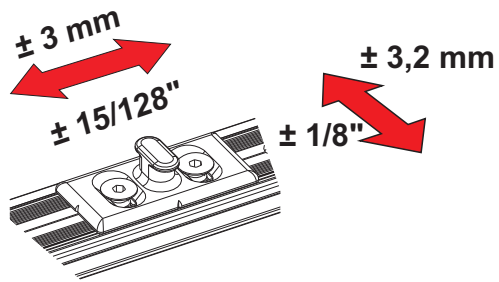
Standard mechanism



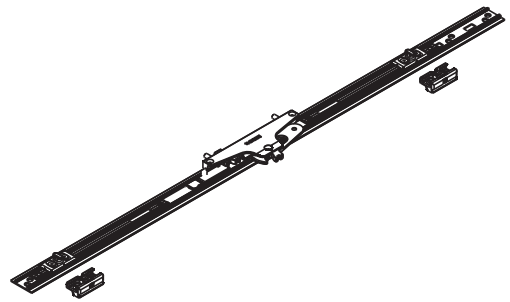
Reduced mechanism



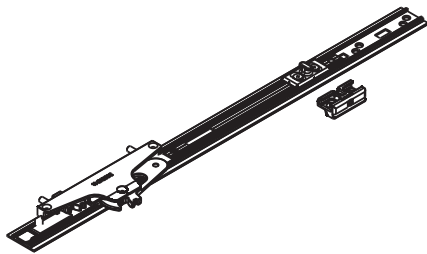
Locking point adjustment



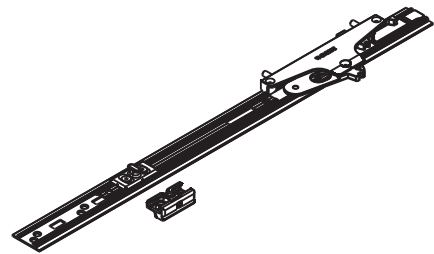
Standard mechanism



Right-hand reduced mechanism



Left-hand reduced mechanism



Item code	Description	Version	Hand	Length	Symmetric	Locking points	Extension	Base Raw	Anodised Elox	Painted	Trend/Gold Brass	Pieces per pack
02000	OS OPERATOR MECHANISM	Standard	RH - LH	725 mm	Yes	2	Above/below max 3 pieces (2+1)	X				10
020021	OS OPERATOR MECHANISM	Reduced	RX	466.5 mm	No	1	Only above max 2 pieces	X				10
020022	OS OPERATOR MECHANISM	Reduced	LX	466.5 mm	No	1	Only above max 2 pieces	X				10