

FUTURA 3D A & F BASIC MECHANISM

Functions

The hinges are supplied completely pre-assembled and ready to be installed on the profile, the hardware consists of ready-assembled accessories that make installation easy and instant.

Materials

Arm

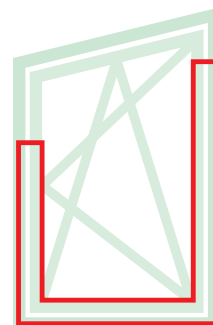
Body, fixing block and slider in zamak with GS Silver Plus finish (up to 500 h of corrosion resistance) and stainless steel rod. Rod, connecting bracket, grub screws and screws in stainless steel. Stop disk in polyamide.

Hinges

Extruded aluminium and brass hinge body Zamak supports with GS Silver Plus finish (up to 500 h corrosion resistance). Pins, screws and grub screws in stainless steel.

Mechanism

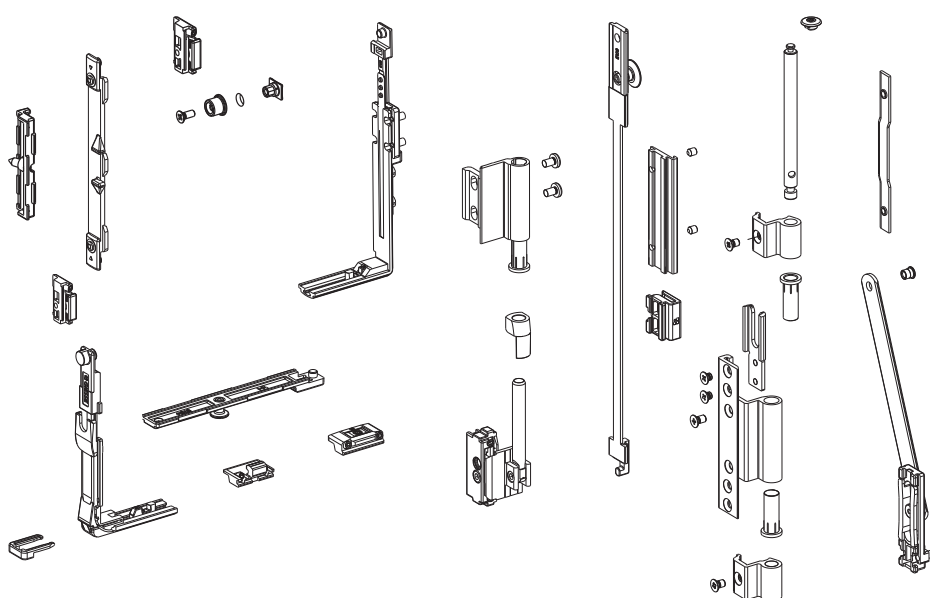
Drive, drive rod, bolt tip and strikers in zamak with GS Silver Plus finish (up to 500 h of corrosion resistance). Screws and grub screws in stainless steel. Polyamide raiser.



Online data sheet



04671K



Item code	Description	PROFILE CROSS - SECTION	Base Raw	Anodised Elox	Painted	Trend/Gold Brass	Pieces per pack
04671K	T/T FUTURA ARCHED & SLOPING WINDOW MECHANISM	C001			X	X	5