

## OS OPERATOR 2.0 MECHANISM



### Functions

Reversible mechanism that moves the sash of a Top or Side Hung aluminium casement.

Online data sheet

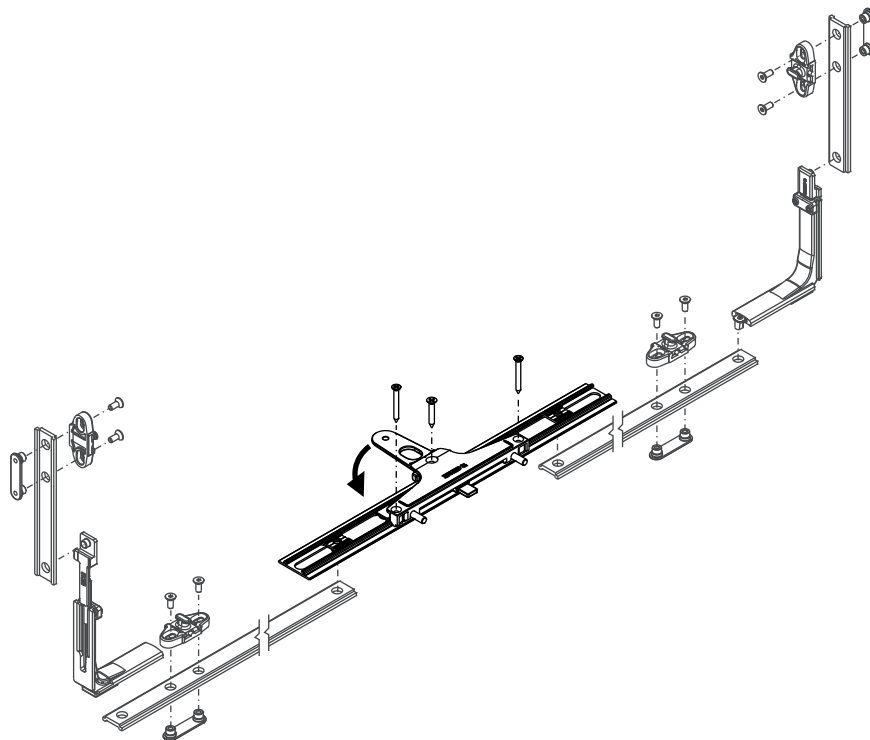
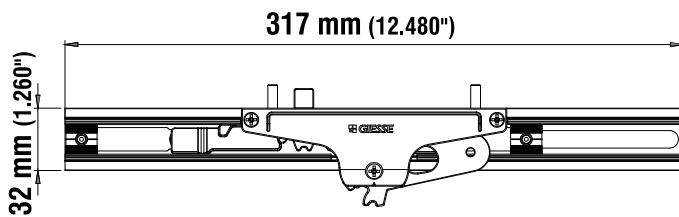


### Technical Features

The mechanism is 317 mm long.  
Acts as a link between the cremone and the opening arms.  
Connected to the Giesse polyamide rod, it is used to move the locking points (applied on the rod) and/or corner drives in the case of perimetral closing mechanisms.

### Materials

Main body (guide), made of extruded aluminium, silver anodised  
Internal rod, in extruded aluminium, silver anodised  
Pinion, in 304 grade stainless steel  
Rack drive rod, in 304 grade stainless steel  
Casing, in Giesse Silver Plus zamak  
Fixing screws in 304 grade stainless steel



Item code	Description	Note	Base Raw	Anodised Elox	Painted	Trend/Gold Brass	Pieces per pack
02009	OS OPERATOR MECHANISM		X				10