

HALF CYLINDER WITH KNOB



Functions

European profile half cylinder with knob.

Online data sheet

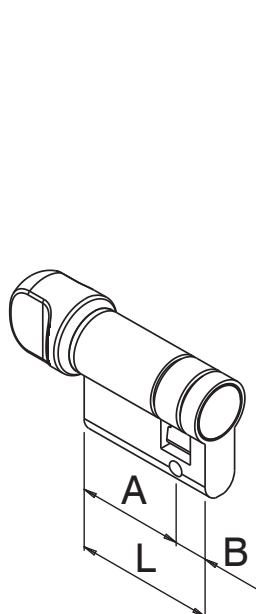


Technical Features

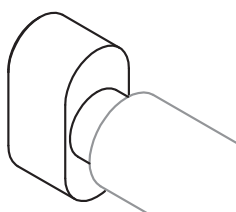
European profile half cylinder with knob with 5-pin coding system.
 Projecting DIN cam.
 Stack 0.5 mm.
 The product is supplied with a set of 3 keys in a ring and countersunk flat head fixing screw.

Materials

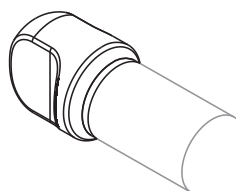
Cylinder body in nickel-plated brass
 Nickel-plated brass cylinder
 DIN cam in sintered steel
 Pins and counter-pins in brass
 Springs in stainless steel
 Nickel-plated brass key
 Nickel-plated brass knob
 Zinc plated steel fixing screw



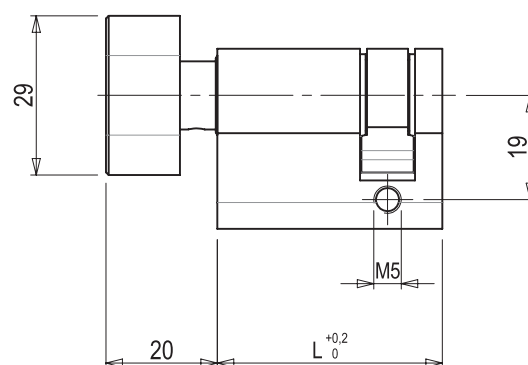
Knob type 1



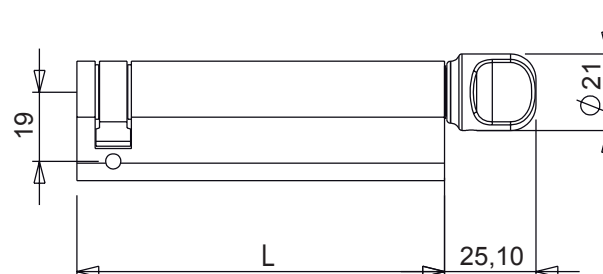
Knob type 2



Knob type 1 overall dimensions



Knob type 2 overall dimensions



DOOR CYLINDERS

Item code	Description	L [mm]	A (knob side) [mm]	B [mm]	Knob type	Base Raw	Anodised Elox	Painted	Trend/Gold Brass	Pieces per pack
04635	Half cylinder with knob 31/10	41	31	10	2	X				10
04638	Half cylinder with knob 61/10	71	61	10	2	X				10
04666N	Half cylinder with knob 50/10	60	50	10	1	X				10
04667N	Half cylinder with knob 60/10	70	60	10	1	X				1
05990	Half cylinder with knob 40/10	50	40	10	1	X				10
05991	Half cylinder with knob 45/10	55	45	10	1	X				10
05992	Half cylinder with knob 55/10	65	55	10	1	X				10
07676	Half cylinder with knob 71/10	81	71	10	2	X				10