

HALF CYLINDER EUROPEAN PROFILE



Functions

Half cylinder with European profile

Online data sheet



Technical Features

European profile half cylinder with 5-pin coding system.

Projecting DIN cam.

Stack 0.5 mm.

The product is supplied with a set of 3 keys in a ring and countersunk flat head fixing screw.

Materials

Cylinder body in nickel-plated brass

Nickel-plated brass cylinder

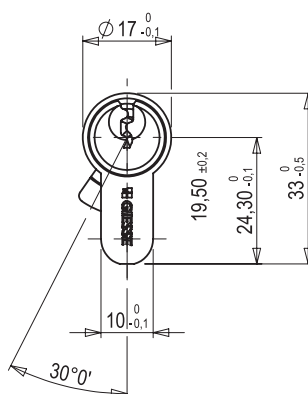
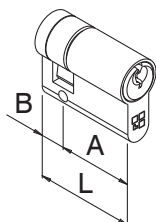
DIN cam in sintered steel

Pins and counter-pins in brass

Springs in stainless steel

Nickel-plated brass key

Zinc plated steel fixing screw



Item code	Description	L [mm]	A [mm]	B [mm]	Base Raw	Anodised Elox	Painted	Trend/Gold Brass	Pieces per pack
04496N	Half cylinder with European profile 30/10	40	30	10	X				10
04497N	Half cylinder with European profile 35/10	45	35	10	X				10
04498N	Half cylinder with European profile 40/10	50	40	10	X				10
04499N	Half cylinder with European profile 50/10	60	50	10	X				10
04500N	Half cylinder with European profile 60/10	70	60	10	X				10
05995	Half cylinder with European profile 45/10	55	45	10	X				10
07674	Half cylinder with European profile 27/10	37	27	10	X				10
07686	Half cylinder with European profile 31/10	41	31	10	X				10
07696	Half cylinder with European profile 61/10	71	61	10	X				10