



MISMO

Functions

The Mismo fastening element is composed of a nib carrier on which is housed the nib that, engaging in the corresponding counterplate, makes a locking point.

Online data sheet



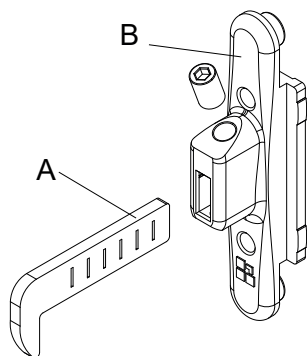
Technical Features

The nib is secured in the nib-holder with the grub screw. In the Mismo multilock the number of fastening components can be varied according to the desired grade of security of the casement. The nib-holders are interconnected with a rod 15/20 with an 8 mm diameter hole.

Materials

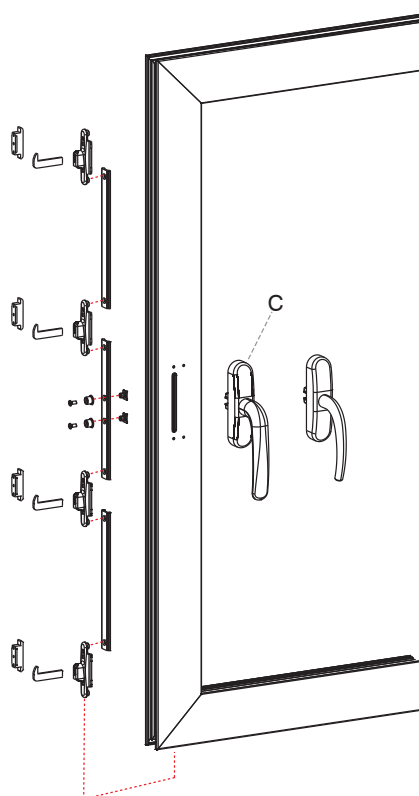
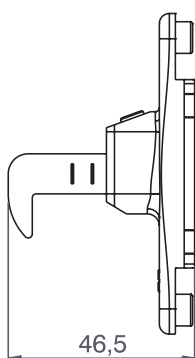
Housing in Zamak
Mounting grub screw and nib in stainless steel

A=Nib (03345) B=Nib carrier (03340)



A = One-way cover cremone or other compatible model

Dimensions



Item code	Description	Note	Base Raw	Anodised Elox	Painted	Trend/Gold Brass	Pieces per pack
0334001	MISMO NIB HOLDER		X				50
03345	MISMO STRAIGHT NIB	2 mm	X				50