

WINDOW HANDLE MECHANISM

Functions

Specific one-way mechanism for GS1000-ML and GS1000-HL tilt and slide versions with window handle.

Online data sheet

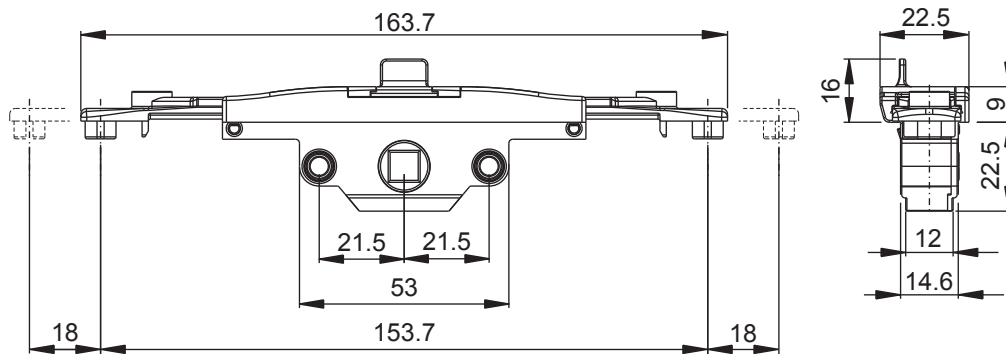


Technical features

Available in right and left versions, the mechanism must match the specific hardware set for the window handle (art. 09783).
 The mechanism can be combined with all the window handles made by GIESSE, both of aluminium and brass (with 7 mm square pin).
 The shim supplied, to be positioned inside the profile, between the mechanism and the window handle, enables perfect alignment of the parts.
 The mechanism has an incorrect movement safety device integral with the mechanism and fixed pawls, already prepared for any additional locking points.

Materials

Rack, case, incorrect movement safety device slide, cover, mechanism and gear in die-cast zamak
 Shims in black polyamide
 Screws and spring of zinc-nickel plated steel



Item code	Description	Range [mm]	PROFILE CROSS - SECTION	GS1000-ML	GS1000-HL	GS1000-HD 100	GS1000-HD 160	GS1000-HD 200	Base Raw	Anodised Elox	Painted	Trend/Gold Brass	Pieces per pack
09751	MECH. LH WINDOW HANDLE GS1000-ML/HL CE	-	-	X	X	-	-	-	X				1
09752	MECH. RH WINDOW HANDLE GS1000-ML/HL CE	-	-	X	X	-	-	-	X				1