

TWO-WAY MECHANISM FOR GHIBO OUT OUTWARD OPENING



Functions

Ghibo out is a two-way device, to be housed in the tubular profile that, via a window handle, moves the rods and locking points of outward-opening side-hung windows.

Online data sheet



Technical Features

Ideal for outward-opening side-hung windows (Side Hung, shutters, etc.). These devices are reversible and are ready to be fitted on either right or left sashes.

The long two-way stroke of the hardware of 18 mm thus allows plenty of overlap of the fastening components.

It is recommended to use these mechanisms in combination with fastening bolt tips type art. 02114K and sill strikers type art. 02159.

The mechanisms are designed to accommodate a 7 mm square pin and to be combined with all the window handles made by GIESSE, both of aluminium and brass, with a 43 mm fixing C/C distance.

The product is secured to the sash profile with the two screws supplied.

The two polyamide tubes supplied are to be placed inside the tubular profile and they perform the function of a spacer between the base of the window handle and the mechanism, allowing the mechanism to maintain perfect alignment of the parts.

Materials

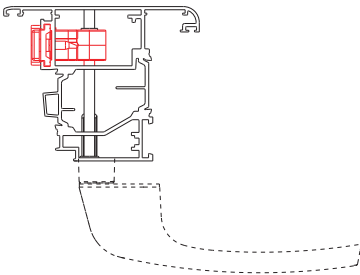
Case and connection devices to transmit motion in silver painted zamak

Rotor in zinc plated zamak

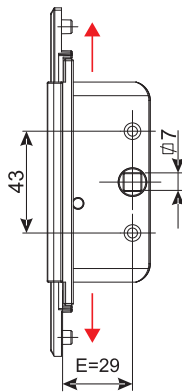
Tubes and bushings of black polyamide

Stainless steel fixing screws

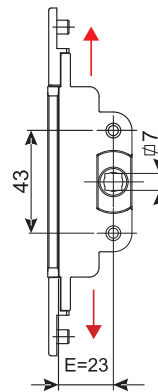
Example of application



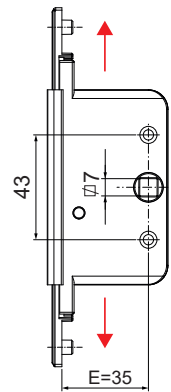
art. 04093 E= 29
stroke 18 mm



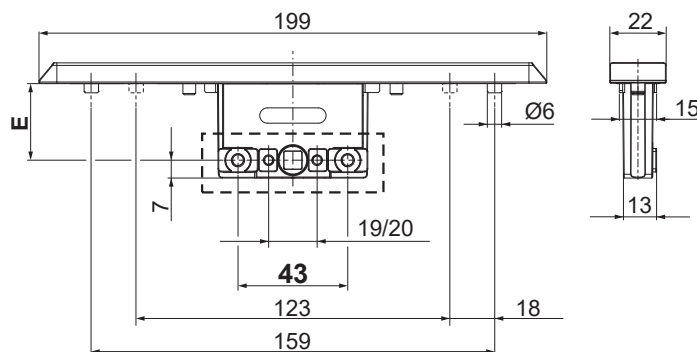
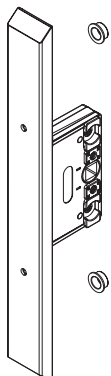
art. 04094 E= 23
stroke 17 mm



art. 04108 E= 35
stroke 18 mm



art. 00934-00935-00936-00937-00938-00943



Item code	Description	Opening	Stroke	Backset E [mm]	Note	Base Raw	Anodised Elox	Painted	Trend/Gold Brass	Pieces per pack
00934	GHIBO OUT TWO-WAY MECHANISM	Outward-opening side-hung window	18 mm	11	Compatible with Window Handles with 7 mm square pin - fixing c/c distance 43 mm	X				6
00935	GHIBO OUT TWO-WAY MECHANISM	Outward-opening side-hung window	18 mm	15	Compatible with Window Handles with 7 mm square pin - fixing c/c distance 43 mm	X				6
00936	GHIBO OUT TWO-WAY MECHANISM	Outward-opening side-hung window	18 mm	22	Compatible with Window Handles with 7 mm square pin - fixing c/c distance 43 mm	X				6
00937	GHIBO OUT TWO-WAY MECHANISM	Outward-opening side-hung window	18 mm	30	Compatible with Window Handles with 7 mm square pin - fixing c/c distance 43 mm	X				6
00938	GHIBO OUT TWO-WAY MECHANISM	Outward-opening side-hung window	18 mm	35	Compatible with Window Handles with 7 mm square pin - fixing c/c distance 43 mm	X				6
00943	GHIBO OUT TWO-WAY MECHANISM	Outward-opening side-hung window	18 mm	25	Compatible with Window Handles with 7 mm square pin - fixing c/c distance 43 mm	X				6
04093	GHIBO OUT TWO-WAY MECHANISM	Outward-opening side-hung window	18 mm	29	Compatible with Window Handles with 7 mm square pin - fixing c/c distance 43 mm	X				5
04094	GHIBO OUT TWO-WAY MECHANISM	Outward-opening side-hung window	17 mm	23	Compatible with Window Handles with 7 mm square pin - fixing c/c distance 43 mm	X				5
04108	GHIBO OUT TWO-WAY MECHANISM	Outward-opening side-hung window	18 mm	35	Compatible with Window Handles with 7 mm square pin - fixing c/c distance 43 mm	X				5