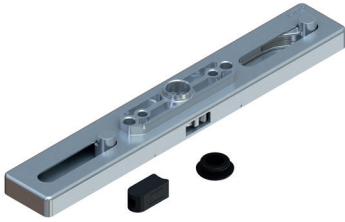


ONE-WAY MOVEMENT GHIBO PLUS CW1



Functions

The Ghibo Plus movement is a one-way device, to be housed on a sash profile of a curtain wall for the rods and fastening pawls movement through a window handle.

[Online data sheet](#)



Technical Features

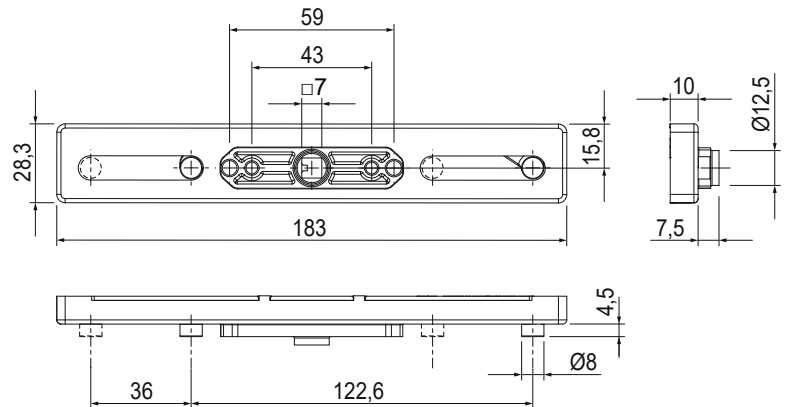
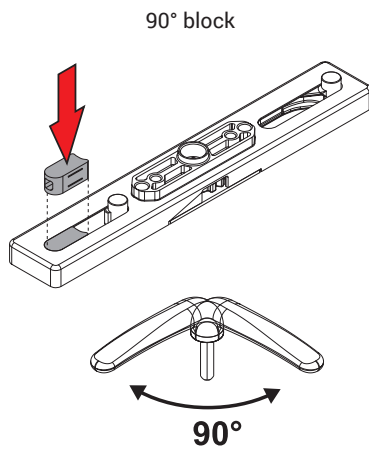
The mechanism has a stroke of 36 mm and ensures an excellent grip of the pawls (sash) on the strikers (frame).

The mechanism is particularly strong and has a cover made of stainless steel. The C/C distance of the fixing holes is 43 mm and the rotor has a square hole of 7 mm: this ensures the mechanism is compatible with all the window handles on the market.

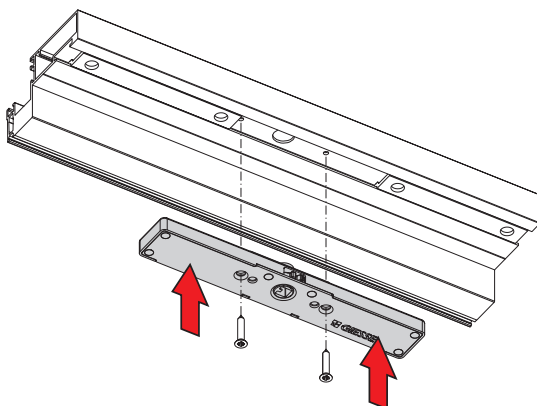
The movement is compatible with rods with 8 mm hole.

Materials

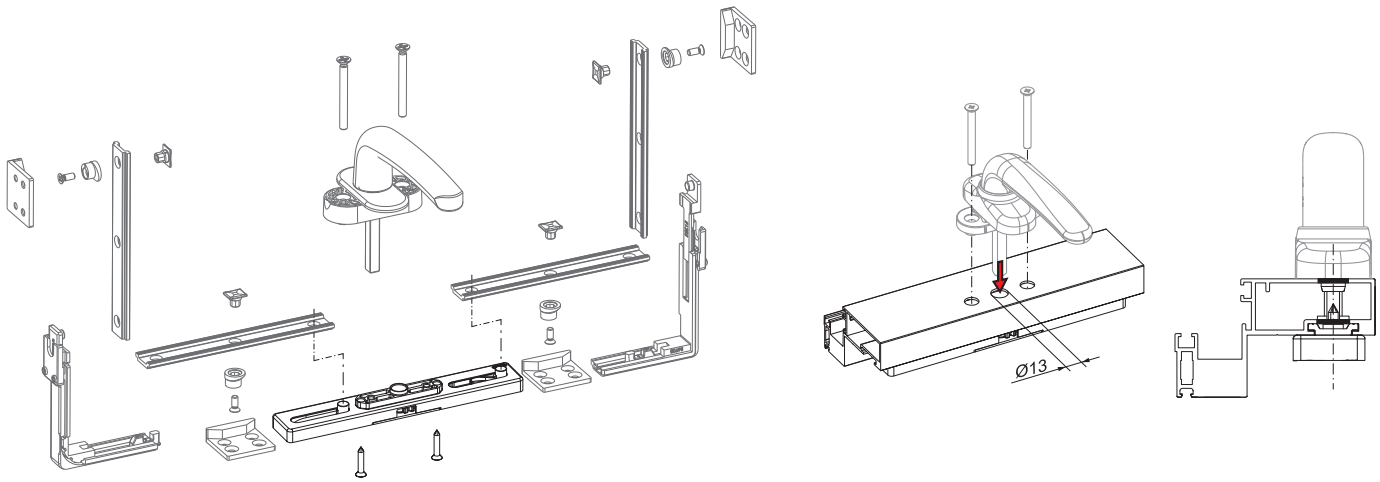
Housing in Zamak
Stainless steel cover
Polyamide bushes



Application on profile



Application with handle



Item code	Description	Opening	Stroke	Note	Base raw	Anodised Elox	Painted	Trend/Gold Brass	Pieces per pack
02079	MOVEMENT GHIBO PLUS CW1	Top Hung	36 mm	Compatible with Window Handles with 7 mm square pin, not removable - fixing c/c distance 43 mm	X				5