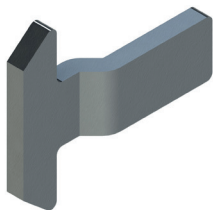


BRIO SMALL NIBS



Functions

Brio Small nibs, combined with a counterplate, enable making the fastening mechanism of sliding casements.

Brio Small nibs can be used in combination with Brio mini Evo, Brio Rapid, City handles including Key versions.

Online data sheet



Technical Features

Brio Small nibs are made of stainless steel and are characterized by their exceptional strength.

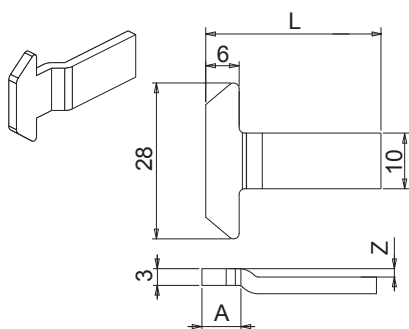
They are fitted with oversized heads to enable efficient use on the counterplate, and guarantee improved sealing and more range of adjustment of the lock point elements.

Brio Small nibs can be combined with a great variety of Giesse counterplates (see relative section) depending on the series used.

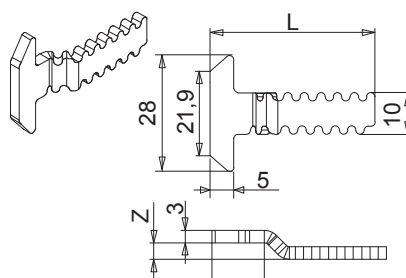
Materials

Stainless Steel

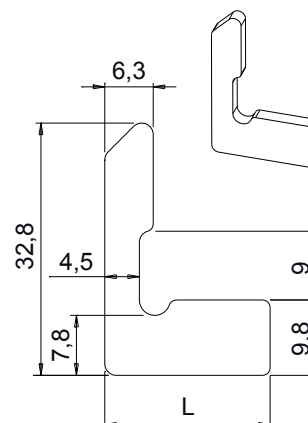
Type A



Type B



Type C



Item code	Description	Drawing	L [mm]	A [mm]	Z [mm]	Base Raw	Anodised Elox	Painted	Trend/Gold Brass	Pieces per pack
02691	BRIO SMALL NIB	B	31	9	6	X				100
04923	BRIO SMALL NIB	A	38	7	6,7	X				100
04924	BRIO SMALL NIB	A	45,5	7	6,7	X				100
07373	BRIO SMALL NIB	B	34	9	3	X				100
07374	BRIO SMALL NIB	B	42	9	3	X				100
90049	BRIO SMALL NIB	A	41	10	4,5	X				100
90055	BRIO SMALL NIB	A	31	10	3	X				100
90056	BRIO SMALL NIB	A	37,2	0	0	X				100
90057	BRIO SMALL NIB	A	26	10	1,5	X				100
90058	BRIO SMALL NIB	A	39	10	4,5	X				100
90060	BRIO SMALL NIB	A	26	7	1,5	X				100
90061	BRIO SMALL NIB	A	36	10	3	X				100
90062	BRIO SMALL NIB	A	34,7	0	0	X				100
90063	BRIO SMALL NIB	A	29	0	0	X				100
90064	BRIO SMALL NIB	A	35	7	1,5	X				100
90067	BRIO SMALL NIB	A	32	0	0	X				100
90068	BRIO SMALL NIB	A	32	10	1,5	X				100
90070	BRIO SMALL NIB	A	51	10	3	X				100
90075	BRIO SMALL NIB	A	42	7	1,5	X				100
90081	BRIO SMALL NIB	A	44	10	3	X				100
90082	BRIO SMALL NIB	A	38	10	3	X				100
90083	BRIO SMALL NIB	A	38	10	4,5	X				100
90084	BRIO SMALL NIB	A	50	10	4,5	X				100
90086	BRIO SMALL NIB	A	31	10	6	X				100
90088N	BRIO SMALL NIB	C	21	0	0	X				100