

## PAWLS FOR CURTAIN WALL



### Functions

Adjustable pawl to be applied on the "Giese connection element" which, in combination with a fixed striker, creates a locking point for a window.

Online data sheet

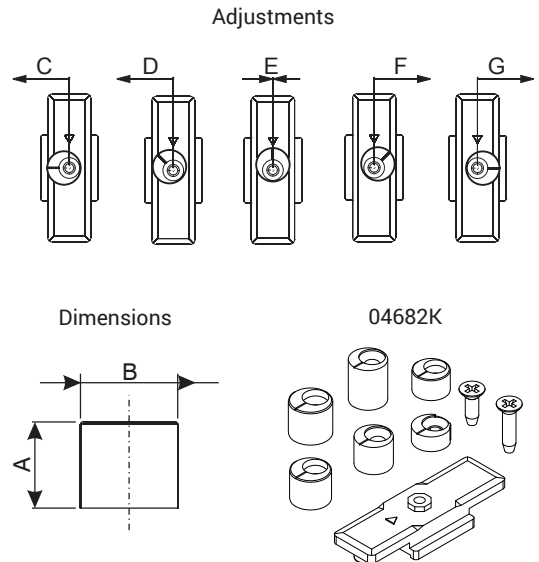
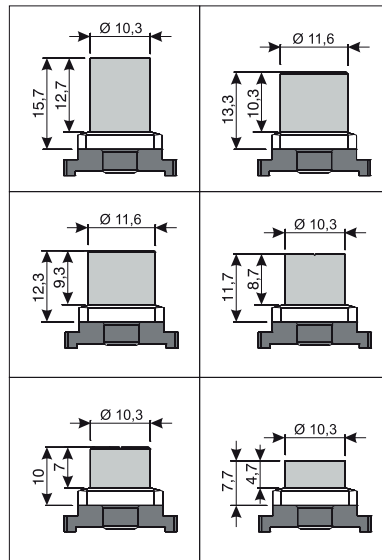
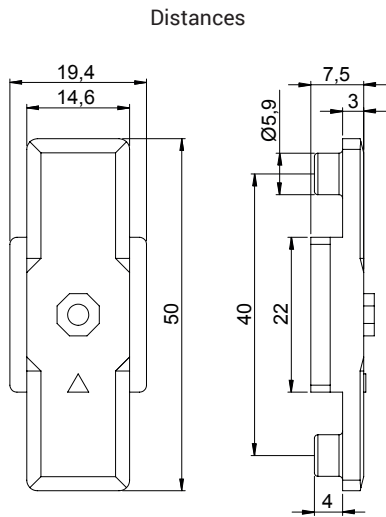


### Technical Features

The pawl is applied "on the Giese connection element" by means of a screw supplied with the pawl.  
The pawl with the most suitable height will be appraised according to the sash - frame distance of the series.  
The adjustable pawl is used in combination with a fixed striker placed on the frame.  
For the adjustments please refer to the table.

### Materials

Pawl in zamak with GS Silver Plus finish (over 500 hours of corrosion resistance)  
Stainless steel screw



Item code	Description	PROFILE CROSS - SECTION	Dimensions A (mm)	Dimensions B (mm)	Adjustment C (mm)	Adjustment D (mm)	Adjustment E (mm)	Adjustment F (mm)	Adjustment G (mm)	Base Raw	Anodised Elox	Painted	Trend/Gold Brass	Pieces per pack
02215K	CONNECTION JOINT	P001-P002-P003-P004-P005-P006-P007-P008-P009-P010								X				100
04675K	LOCKING PAWL	-	12,7	10,3	+ 1,5	+ 1,06	0	- 1,06	- 1,5	X				100
04677K	LOCKING PAWL	-	10,3	11,6	+ 1,8	+ 1,27	0	- 1,27	- 1,8	X				100
04679K	LOCKING PAWL	-	8,7	10,3	+ 1,5	+ 1,06	0	- 1,06	- 1,5	X				100
04681K	LOCKING PAWL	-	4,7	10,3	+ 1,5	+ 1,06	0	- 1,06	- 1,5	X				100
04682K	CONNECTION JOINT WITH 6 PAWLS	-								X				50