

NP SUPRA - DRILLING TEMPLATE



Functions

Drilling template for carrying out machining on the NP SUPRA window handle.

Online data sheet



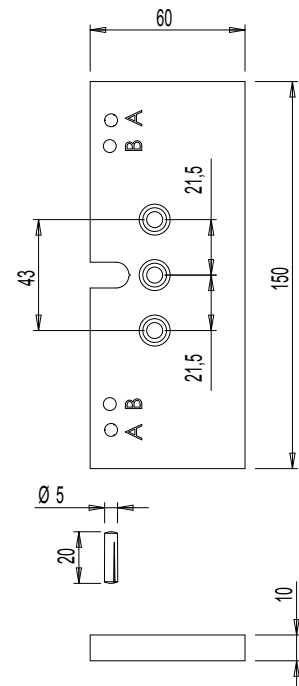
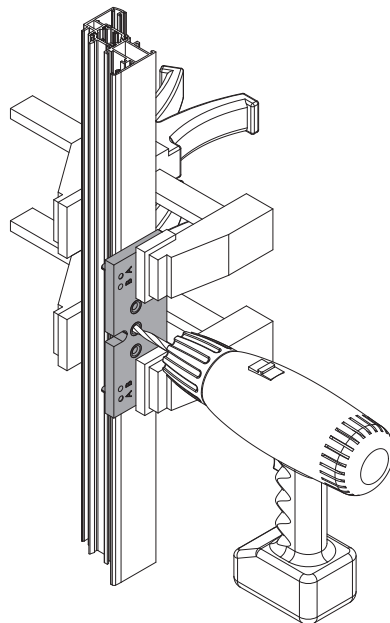
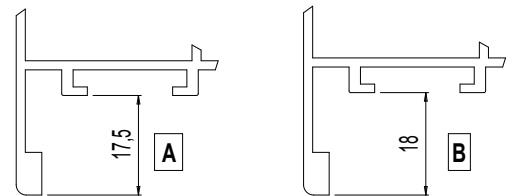
Technical Features

The pin supplied makes it possible to set the template for profiles with tabs 17.5 mm (A) or 18.0 mm (B) in length.

To improve machining precision, we recommend holding it in place using a clamp.

Materials

Aluminium template
Steel bushes and pins



Item code	Description	Note	Base Raw	Anodised Elox	Painted	Trend/Gold Brass	Pieces per pack
03536	NP SUPRA - DRILLING TEMPLATE		X				1