

NP SUPRA - TILT-AND-TURN HARDWARE

Functions

One-way window handle, can be operated with the NP SUPRA window handle, for operating Tilt-and-Turn fastening window handles.

Online data sheet

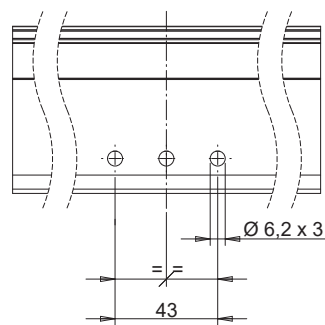
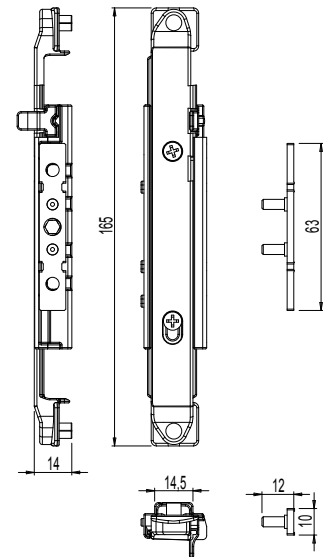


Technical Features

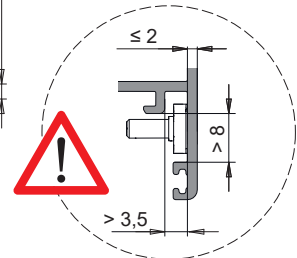
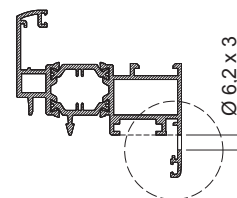
Used in combination with the NP SUPRA window handle (5 mm hexagon). It is locked to the profile with the 2 self-tapping screws supplied. There is no need for any milling on the sash tubular profile, it only requires straightforward machining on the profile wall (3 holes $\text{\O}6.2$ mm). The mechanism is two-way and is equipped with an incorrect movement safety device, which prevents turning the window handle while the sash is open.

Materials

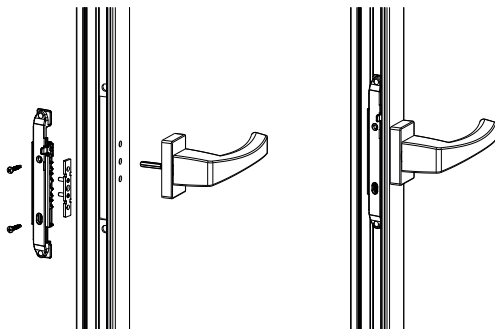
Body, Drive Rod and incorrect movement safety lug made of zamak with GS SILVER PLUS finish. Pinion and screws 3.9 x 19 made of zinc plated steel. Stainless steel fixing plate.



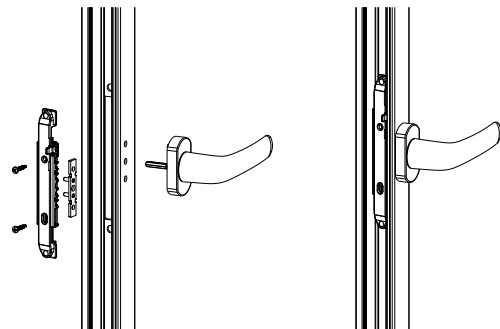
Machining



Asia window handle



Prima window handle



Item code	Description	PROFILE CROSS - SECTION	Type	Operation	Base Raw	Anodised Elox	Painted	Trend/Gold Brass	Pieces per pack
0395301	NP - TILT-AND-TURN HARDWARE	C001-C002-C003-C004-C005-C006-C013-C014-C015-C016-C017	Tilt-and-turn window	one-way	X				10