

NYLON PARTS



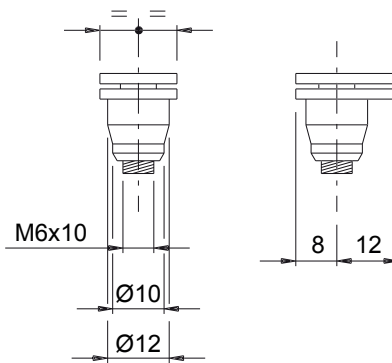
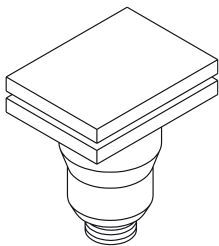
Functions

Hardware to be used on sliding casements with sealing, joining or adjustment function.

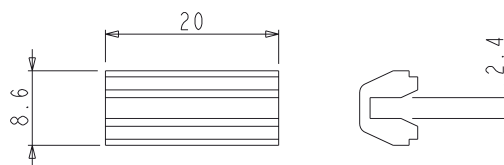
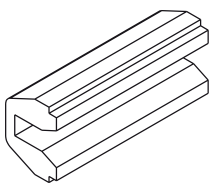
Online data sheet



01239



03155



Item code	Description	Note	Base Raw	Anodised Elox	Painted	Trend/Gold Brass	Pieces per pack
01239	GLASS ADJUSTMENT PLUG		X				100
03155	CLIP FOR HOLDING CABLE COVER		X				50