

CONNECTION PINS



Functions

Zinc plated steel pin to move the mechanism from the cremone to the closing rods.

Online data sheet



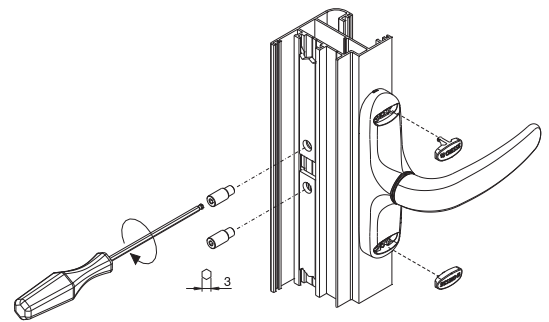
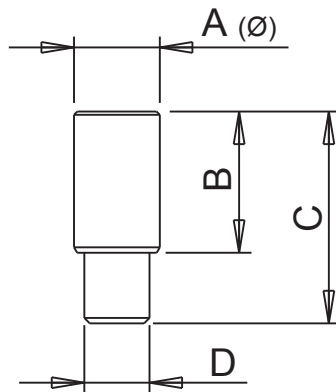
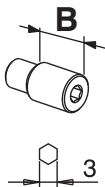
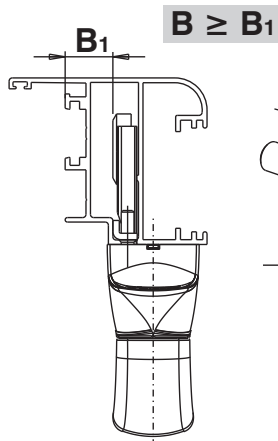
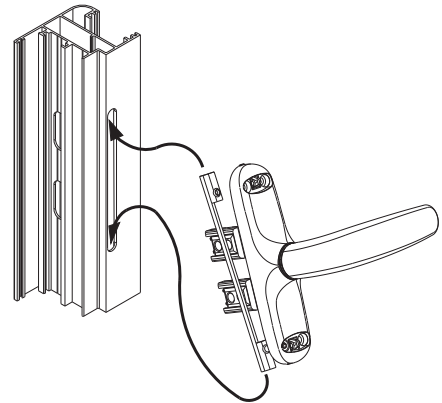
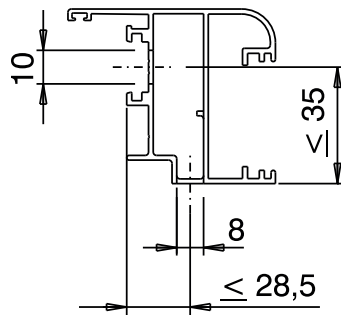
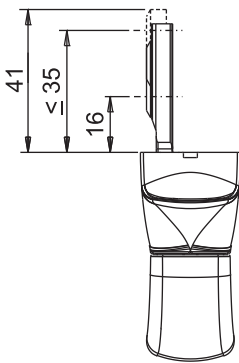
Technical features

To be inserted in the telescopic sliders of Unica Apex cremones, in the position shown in the fitting instructions.

Materials

Zinc-nickel plated steel

Example of application with Unica Apex cremone



Item code	Description	A (mm)	B (mm)	C (mm)	D	Base Raw	Anodised Elox	Painted	Trend/Gold Brass	Pieces per pack
02251K	CONNECTION PIN	7,9	10	16,5	M6	X				200
02252K	CONNECTION PIN	7,9	13	19,5	M6	X				200
02253K	CONNECTION PIN	7,9	16	22,5	M6	X				200
02254K	CONNECTION PIN	7,9	24	30,5	M6	X				200
02255K	CONNECTION PIN	7,9	20	26,5	M6	X				200

CONNECTION PINS



Functions

Zinc plated steel pin to move the mechanism from the cremone to the closing rods.

Online data sheet



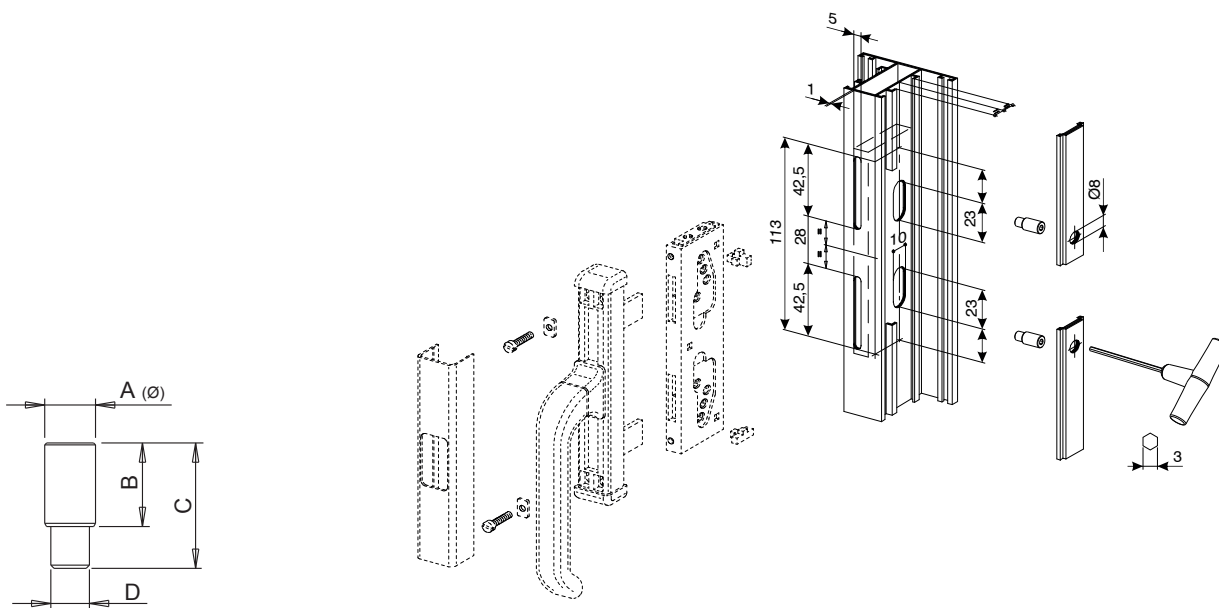
Technical Features

To be inserted in the guide blocks of Article 02250 in the position shown on the instruction sheet.

Materials

Zinc-nickel plated steel

Example of application with Nova connection kit



Item code	Description	A (mm)	B (mm)	C (mm)	D	Base Raw	Anodised Elox	Painted	Trend/Gold Brass	Pieces per pack
02251K	CONNECTION PIN	7,9	10	16,5	M6	X				200
02252K	CONNECTION PIN	7,9	13	19,5	M6	X				200
02253K	CONNECTION PIN	7,9	16	22,5	M6	X				200
02254K	CONNECTION PIN	7,9	24	30,5	M6	X				200
02255K	CONNECTION PIN	7,9	20	26,5	M6	X				200