

RACKMAX 450



Functions

Electric rack actuator for automation of top-hung windows, top-hung shed skylight windows, skylights, domes, jalousie windows, brise soleil.

Technical Features

Electric actuator with linear rack drive and thrust and traction force equal to 450 N. Supply voltage 110-230V ~ 50/60Hz.

The product is available in versions with stroke: 180, 230, 350, 550, 750 and 1000 mm.

Supplied complete with tilting bracket, which can be fixed over the entire length of the rod by means of two sliding clamps.

Opening and closing load-dependent stroke limit as electronic overload protection.

Connectible in parallel.

Compliant with reference EU Directives (EMC Directives, Low Voltage Directives).

Materials

Anodised silver aluminium tube

Round section zinc plated steel rack

Sash bracket and frame bracket in gray polyamide

Load-bearing structure in fiberglass-reinforced polyamide (RAL7035)

Bottom and top containment components, front cover and rear cover in fiberglass-reinforced polyamide (RAL7035)

1m white power cable

Parts

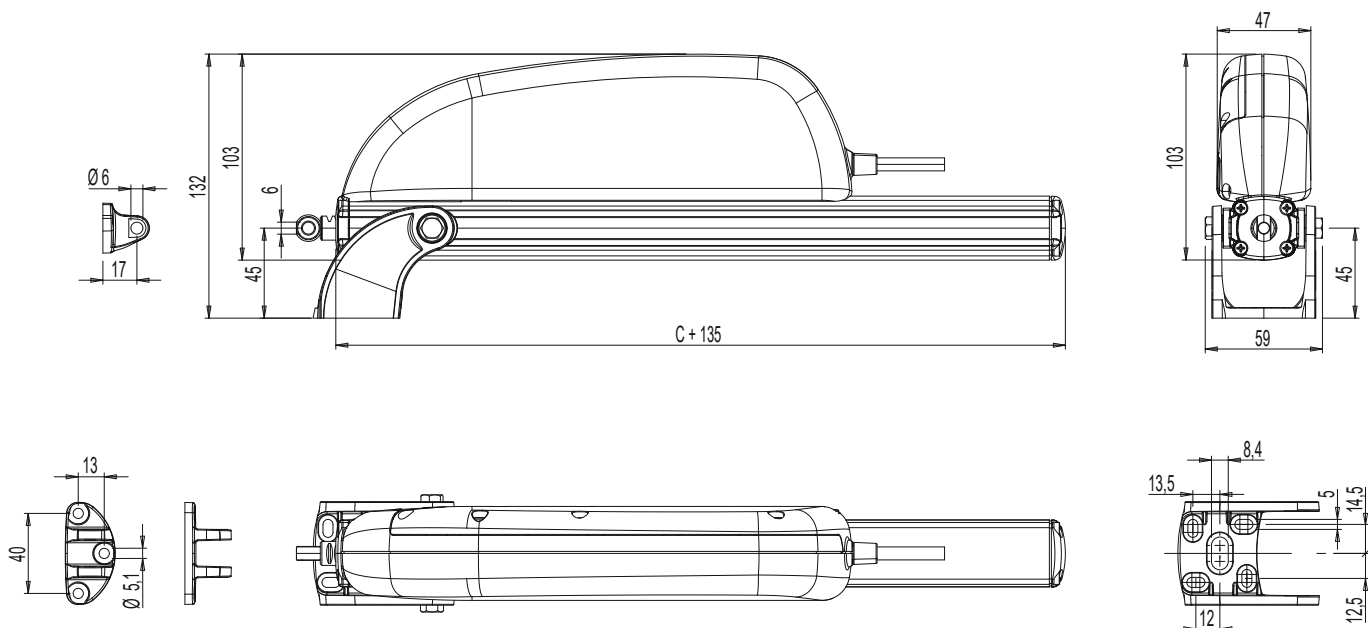
RACKMAX 450 rack actuator

One sash bracket and frame and components for brackets fixing to the actuator

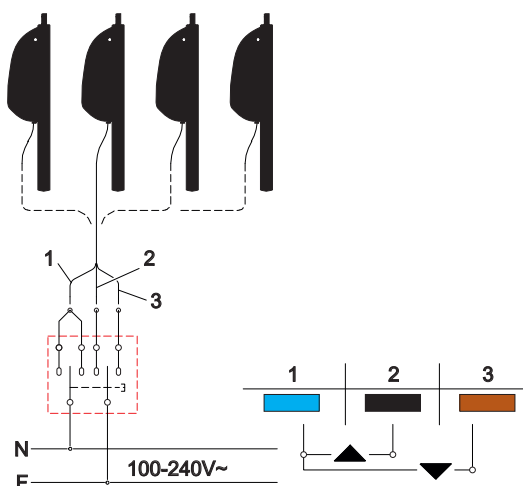
Instruction manual

Finish

Silver anodised



Electrical connections: 1 blue; 2 black; 3 brown



Technical data

Model	RACK MAX 450
Thrust and pull force (FN)	450 N
Available strokes (SV)	180, 230, 350, 550, 750, 1000 mm
Power supply voltage (UN)	110-230V~ 50/60 Hz
Nominal load current input (IN)	0,28 - 0,19 A
Nominal load power (SV)	21,6 A – 24 W
Idle travel speed	6,7 mm/s
Duration of idle stroke	Depending on the stroke
Electrical insulation	Class II
Service type (DR)	2 cycles
Operating temperature	-5 +65 °C
Electrical devices protection rating	IP44
Window connection adjustment	Position self-detection
Parallel connection of two or more motors	YES (max 20)
Possibility of Duo version (with drive unit)	No
Nominal holding force (variable according to the brackets used)	2200 N
Opening and closing stroke limit	Power absorption type
Opening and closing overload protection	Power absorption type
Power cable length	1 m
Dimensions	103x47x(Stroke+135) mm
Unit weight	Variable according to the construction

Item code	Description	Note	Base Raw	Anodised Elox	Painted	Trend/Gold Brass	Pieces per pack
07432	RACK MAX 450 - 230 V - 180 mm		X				1
07433	RACK MAX 450 - 230 V - 230 mm		X				1
07434	RACK MAX 450 - 230 V - 350 mm		X				1
07435	RACK MAX 450 - 230 V - 550 mm		X				1
07436	RACK MAX 450 - 230 V - 750 mm		X				1
07437	RACK MAX 450 - 230 V - 1000 mm		X				1