

RACKMAX 650 230V



Functions

Electric rack actuator for automation of top-hung windows, top-hung shed skylight windows, skylights, domes, jalousie windows, brise soleil.

Technical Features

Electric actuator with linear rack movement and thrust and traction force equal to 600 N. Possibility of reaching a thrust force up to 1000 N by combining 2 Rackmax 650 motors together (see table).

Possibility of obtaining several additional thrust points in combination with a "drive unit" or in combination with a second Rackmax 650 (see table).

Version with 110-230V ~ 50/60Hz supply voltage. Available also in 24 V dc version.

The product is available in versions with stroke: 180, 230, 350, 550, 750 and 1000 mm.

Possibility to reduce the maximum exit of the rack (stroke) of the actuator, before installing the product.

Supplied complete with tilting bracket, which allows to fix the actuator over the entire length of the tube by means of two sliding clamps.

Opening and closing load-dependent stroke limit as electronic overload protection.

Connectible in parallel.

Compliant with Directives 2004/108 EC (EMC Directive) and 2006/95 EC (L.V. Directive).

Materials

Anodised silver aluminium tube

Square section zinc plated steel rack

Sash bracket and frame bracket in galvanised zamak

Load-bearing structure in fiberglass-reinforced polyamide (RAL7035)

Bottom and top containment components, front cover and rear cover in zamak

2m white power cable

Parts

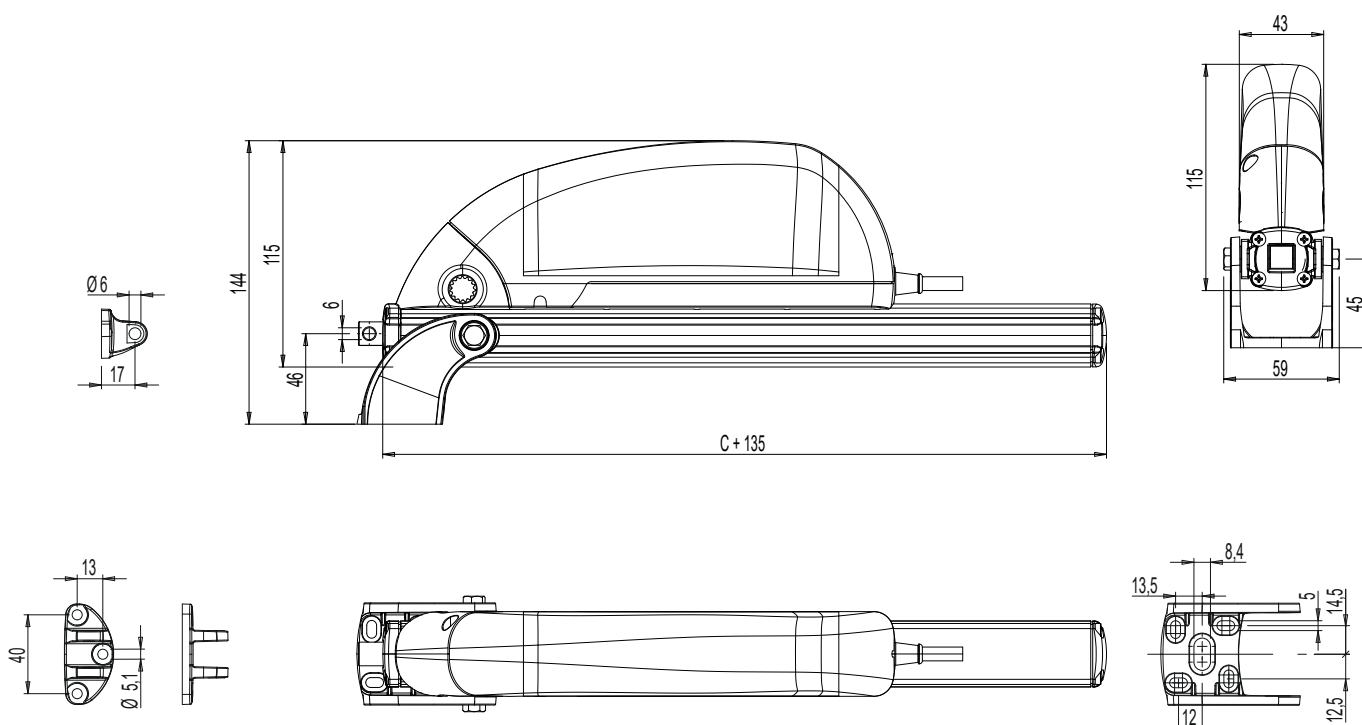
RACKMAX 650 rack actuator

One sash bracket and frame and components for brackets fixing to the actuator

Instruction manual

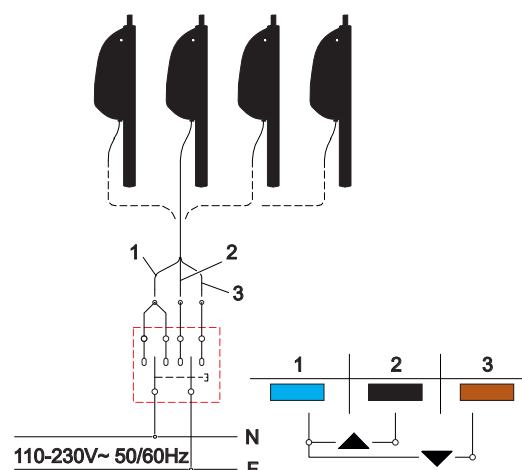
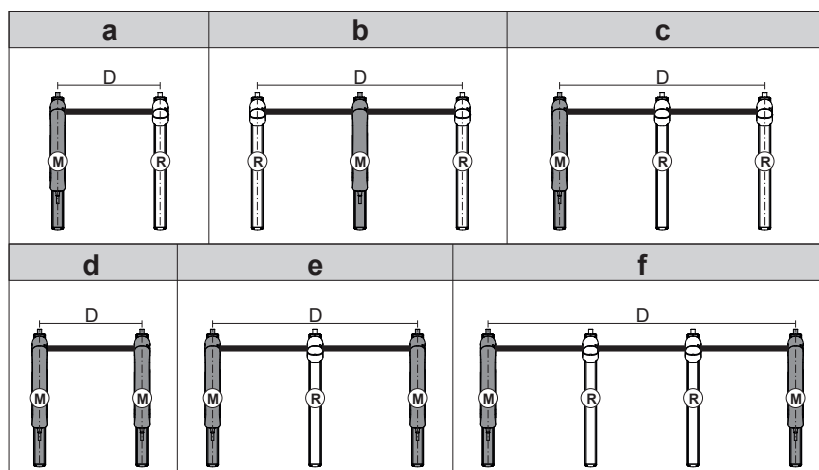
Finish

Silver anodised



Configurations with 2, 3 and 4 thrust points

Electrical connections: 1 blue; 2 black; 3 brown



Configuration	No. of motors	No. of drive units	No. of thrust points	Total force
a	1	1	2	600N
b	1	2	3	600N
c	1	2	3	600N
d	2	0	2	1000N
e	2	1	3	1000N
f	2	2	4	1000N

Technical data

Model	RACK MAX 650 230V
Thrust and pull force (FN)	600 N
Available strokes (SV)	180, 230, 350, 550, 750, 1000 mm
Power supply voltage (UN)	110-230V~ 50/60 Hz
Nominal load current input (IN)	0,45 - 0,22 A
Nominal load power (SV)	~ 30-31 W
Idle travel speed	7,5 mm/s
Duration of idle stroke	Depending on the stroke
Electrical insulation	Class II
Service type (DR)	2 cycles
Operating temperature	-5 +65 °C
Electrical devices protection rating	IP42
Window connection adjustment	Position self-detection
Parallel connection of two or more motors	YES (max 20)
Possibility of Duo version (with drive unit)	Yes
Nominal holding force (variable according to the brackets used)	3500 N
Opening and closing stroke limit	Power absorption type
Opening and closing overload protection	Power absorption type
Power cable length	2 m (±5%)
Dimensions	115x42x(Stroke+135) mm
Unit weight	Variable according to the construction

RACK ACTUATORS

Item code	Description	Note	Base Raw	Anodised Elox	Painted	Trend/Gold Brass	Pieces per pack
07438	RACK MAX 650 - 230 V - 180 mm		X				1
07439	RACK MAX 650 - 230 V - 230 mm		X				1
07440	RACK MAX 650 - 230 V - 350 mm		X				1
07441	RACK MAX 650 - 230 V - 550 mm		X				1
07442	RACK MAX 650 - 230 V - 750 mm		X				1
07443	RACK MAX 650 - 230 V - 1000 mm		X				1