

RACKMAX 450 AND 650 SPARE PARTS



Functions

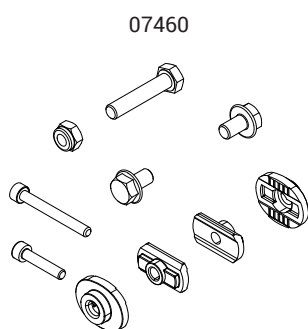
Spare brackets and small hardware parts for Rackmax rack actuators and drive units.

Technical Features

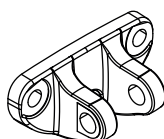
If it is necessary to replace the sash or frame fixing brackets or the small hardware parts used to fix the actuator to the brackets, it is possible to order the codes shown in the table.

Materials

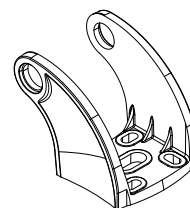
See table



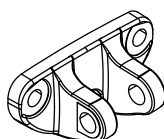
07461
(polyamide)



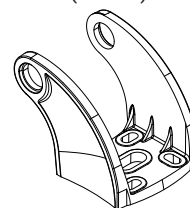
07462
(polyamide)



07463
(zamak)



07464
(zamak)



Item code	Description	Material	Finish	Specific for	Base Raw	Anodised Elox	Painted	Trend/Gold Brass	Pieces per pack
07460	RACK MAX 450/650 mm FIXING COMPONENTS	Steel	White galvanizing	RACKMAX 450, RACKMAX 650, RACKMAX 650 DRIVE UNIT	X				1
07461	RACK MAX 450 SASH BRACKET	Polyamide	Grey	RACKMAX 450	X				1
07462	RACK MAX 450 FRAME BRACKET	Polyamide	Grey	RACKMAX 450	X				1
07463	RACK MAX 650 SASH BRACKET	Zamak	White galvanizing	RACKMAX 650, RACKMAX 650 DRIVE UNIT	X				1
07464	RACK MAX 650 FRAME BRACKET	Zamak	White galvanizing	RACKMAX 650, RACKMAX 650 DRIVE UNIT	X				1