

OS OPERATOR CORNER DRIVE



Functions

Component allowing the mechanism to move from the cross-beam to the upright of the casement and vice versa.

Online data sheet



Technical features

Specific for fitting on the frame.

Fits on 15/20 channel.

It is installed after machining the frame or before the frame is assembled.

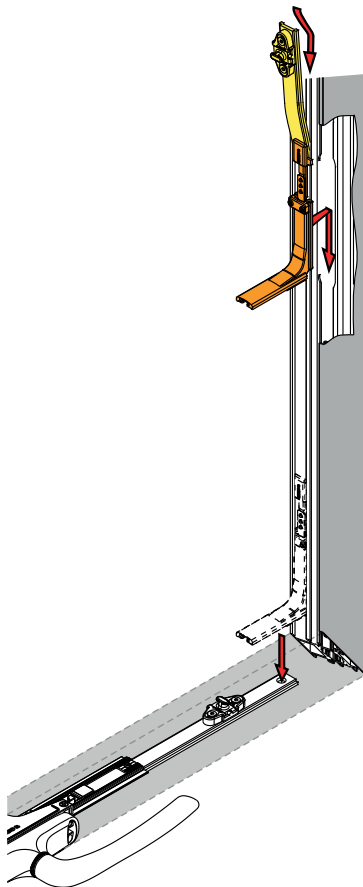
It is fixed with 2 contrast grub screws and is joined to the other components with a polyamide rod.

Materials

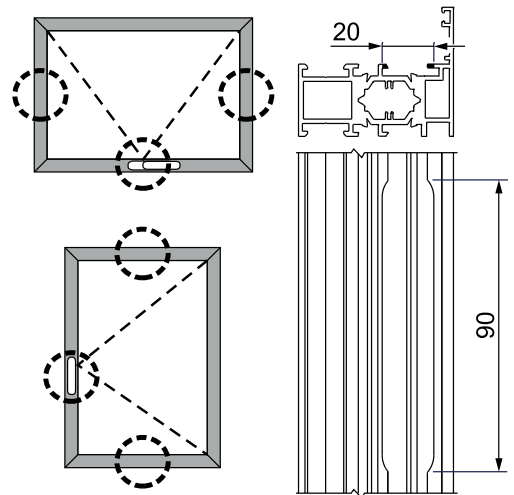
Drive body and connection device made of Giesse Silver Plus

Plates and grub screws in stainless steel

Inserting in channel



Machining



Item code	Description	Note	Base Raw	Anodised Elox	Painted	Trend/Gold Brass	Pieces per pack
02066	CORNER DRIVE		X				10