

## LOCK FOR BALCONY DOOR

### Functions

A lock which, when combined with the 32 mm backset movement, makes it possible to create so-called turn-only and tilt-and-turn balcony door sashes.

Online data sheet



### Technical Features

The lock is reversible and can be combined with the 00945 movement (32 mm backset) and all traditional GIESSE and SUPRA 7 window handles.

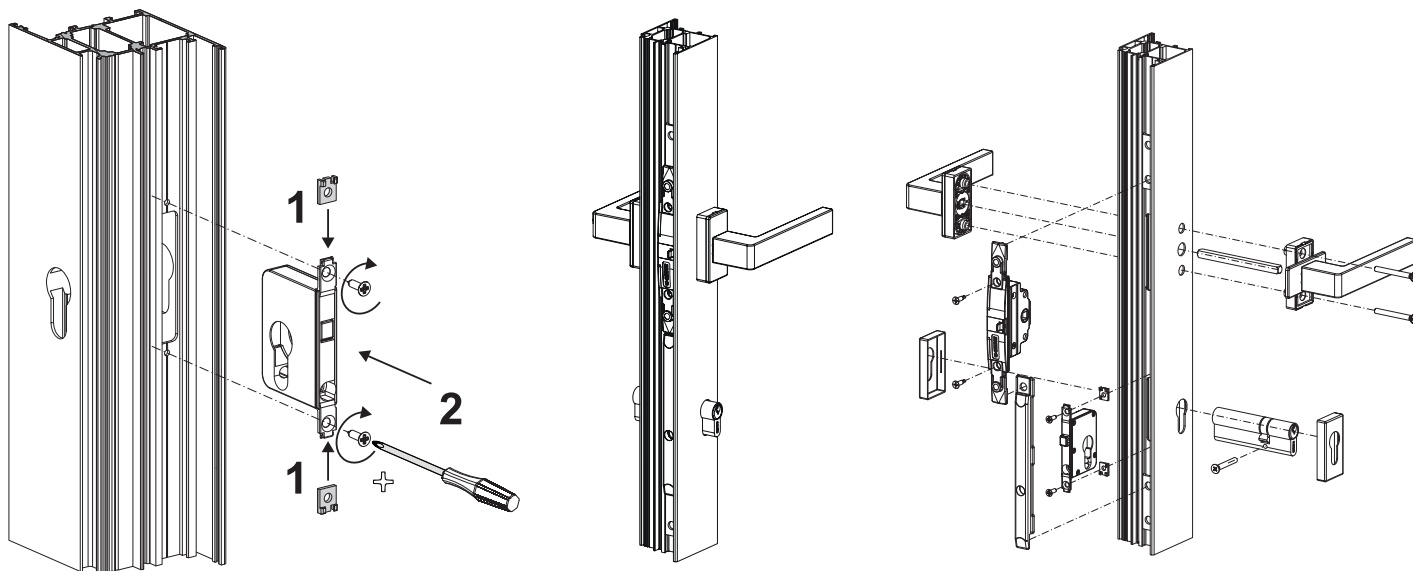
This lock can be fitted on both turn-only and tilt-and-turn sashes and thanks to the 32 mm backset allows the application of Giesse cylinders (European profile) and consequently the sash can also be locked from the outside.

### Materials

Lock body and movable component in die-cast zamak.

Shims in black polyamide.

Screws with Zi-Ni finish.



Item code	Descriptions	Note	Base Raw	Anodised Elox	Painted	Trend/Gold Brass	Pieces per pack
00946	LOCK FOR TILT-AND-TURN WINDOW		X				5