

## CENTRAL LOCKS FOR EMERGENCY EXITS

### Functions

Central lock, slip-on version for aluminium uprights, available with flat front and "U" shaped front, equipped with spring latch and pivoting bolt for emergency exits.

Online data sheet



### Technical Features

Bolt operated with the cylinder and by operating the push-bar of the panic exit device from the inside (EMERGENCY function).

Spring latch operated with the cylinder and with the 8 mm handle spindle (from the outside).

Cylinder handle C/C distance 85 mm.

Bolt with thickness of 10 mm and minimum protrusion of 24 mm.

Spring latch with 10 mm protrusion.

Flat front plate 24x3 mm.

### Materials

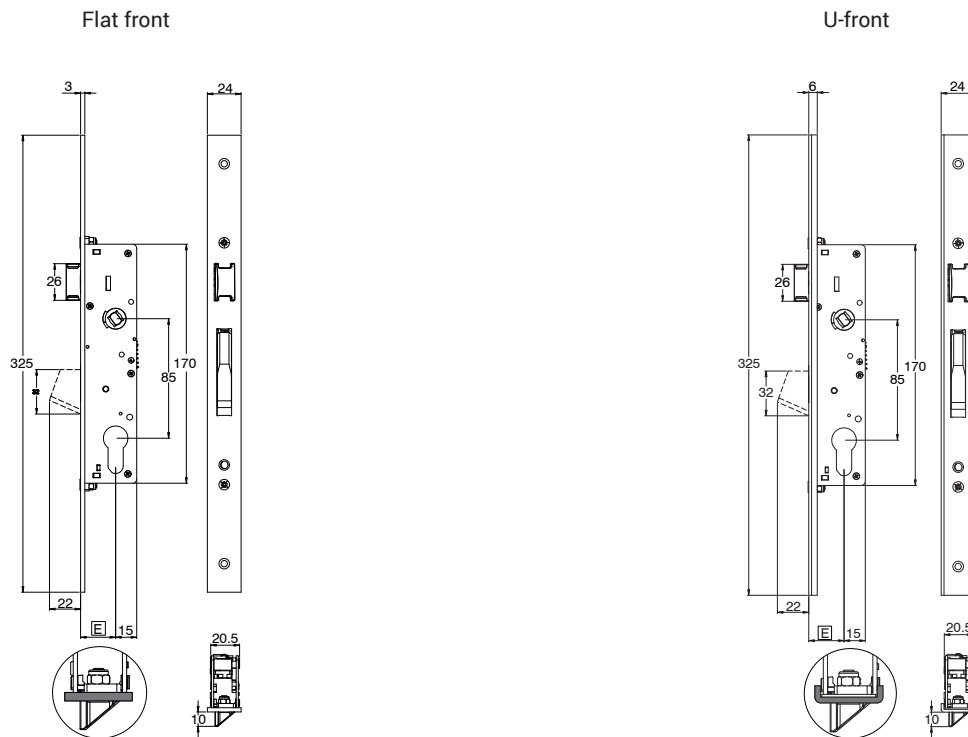
Lock cover plate and case plate in zinc plated steel

Front in stainless steel

Spring latch and bolts in nickel-plated steel

Zinc plated steel cylinder fixing screw

Lock fixing screws in stainless steel



Item code	Description	Backset E [mm]	Front width [mm]	Front type	Compatible counter-plates	Base Raw	Anodised Elox	Painted	Trend/Gold Brass	Pieces per pack
07660	CENTRAL LOCK FOR EMERGENCY EXITS	30	24	U-SHAPED	07691 - 07694 - 07695	X				1
07661	CENTRAL LOCK FOR EMERGENCY EXITS	35	24	U-SHAPED	07691 - 07694 - 07695	X				1
07662	CENTRAL LOCK FOR EMERGENCY EXITS	30	24	PLATE	07690 - 07691 - 07692 - 07693 - 07694 - 07695	X				1
07663	CENTRAL LOCK FOR EMERGENCY EXITS	35	24	PLATE	07690 - 07691 - 07692 - 07693 - 07694 - 07695	X				1