

MULTIPOINT LOCKS FOR EMERGENCY EXITS



Functions

Multipoint lock with central lock and additional locks, available with flat front and "U" shaped front, equipped with spring latch and pivoting bolts for emergency exits.

Online data sheet

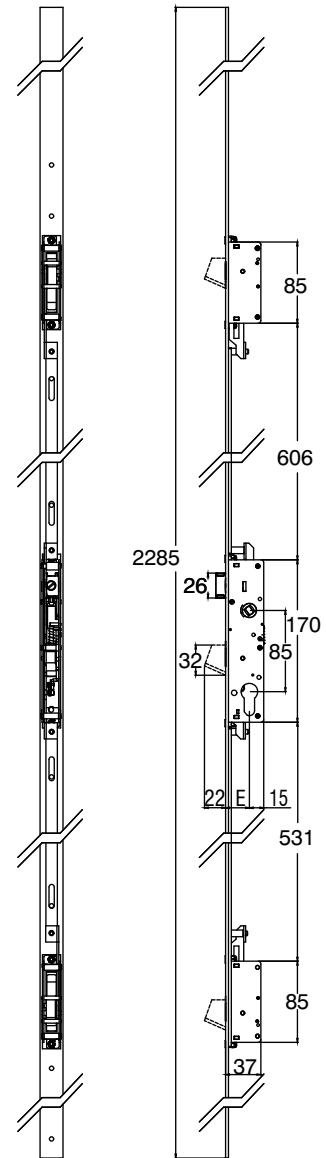
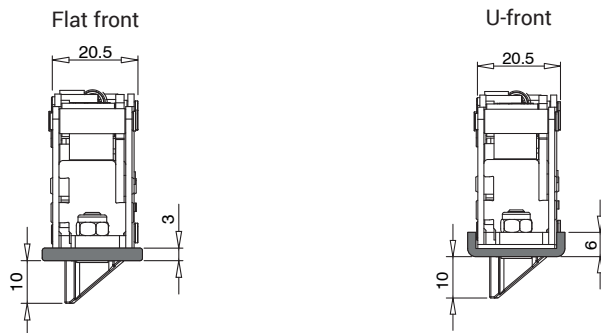


Technical Features

- Bolts operated with the cylinder and by operating the push-bar of the panic exit device from the inside (EMERGENCY function).
- Spring latch operated with the cylinder and with the 8 mm handle spindle (from the outside).
- Cylinder handle C/C distance 85 mm.
- Bolts with thickness of 10 mm and minimum protrusion of 24 mm.
- Spring latch with 10 mm protrusion.
- Front plate 24x3 mm.
- Available with U front and Flat front

Materials

- Lock cover plates and case plate in zinc plated steel
- Front in stainless steel
- Spring latch and bolts in nickel-plated steel
- Zinc plated steel cylinder fixing screw
- Lock fixing screws in stainless steel



Item code	Description	Backset E [mm]	Front width [mm]	Front type	Compatible counter-plates	Base Raw	Anodised Elox	Painted	Trend/Gold Brass	Pieces per pack
07664	MULTIPOINT LOCK FOR EMERGENCY EXITS	30	24	U-SHAPED	07701 - 07704 - 07705	X				1
07665	MULTIPOINT LOCK FOR EMERGENCY EXITS	35	24	U-SHAPED	07701 - 07704 - 07705	X				1
07666	MULTIPOINT LOCK FOR EMERGENCY EXITS	30	24	PLATE	07700 - 07701 - 07702 - 07703 - 07704 - 07705	X				1
07667	MULTIPOINT LOCK FOR EMERGENCY EXITS	35	24	PLATE	07700 - 07701 - 07702 - 07703 - 07704 - 07705	X				1