

LOCKS FOR TOP-BOTTOM LOCKING

**Functions**

Central lock, slip-on version for aluminium stiles, with adjustable spring latch and tilting bolt, ready for rod connection for top/bottom fastening mechanism.

Online data sheet

**Technical Features**

Lock compatible with European profile cylinders, has a burglar-proof tilting bolt and a reversible spring latch (RH or LH), adjustable from 10 to 15 mm.

Bolts operated with the cylinder.

Spring latch operated with the cylinder and with the 8 mm handle spindle.

Cylinder handle C/C distance 85 mm.

Bolt with thickness of 10 mm and minimum protrusion of 24 mm.

Spring latch with 10 to 15 mm protrusion.

The pair of two-way adapters supplied with the lock, for connecting to the polyamide rod, enables making top bottom locking at several points.

Stroke is 15.5 mm.

The adapters for connecting to the rod have connecting pins size 8 mm.

Materials

Lock cover plate and case plate in zinc plated steel

Flat front in stainless steel

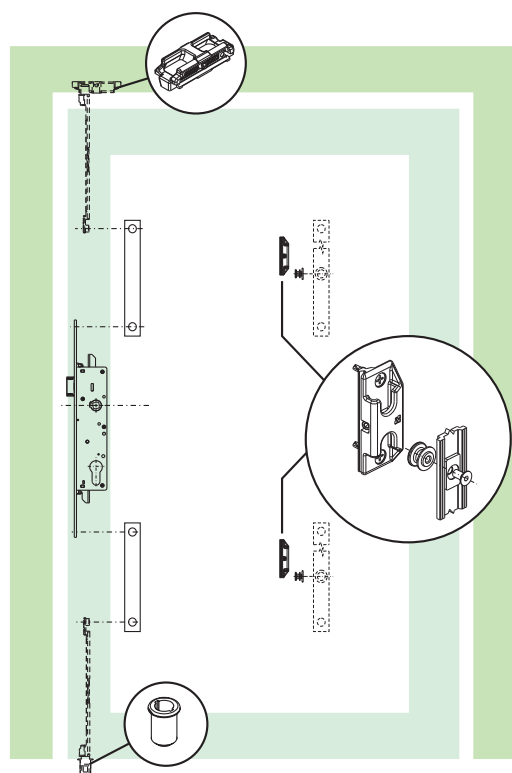
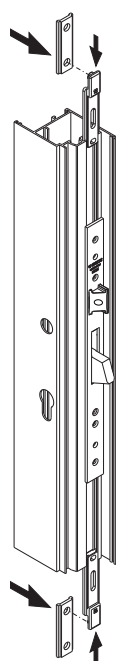
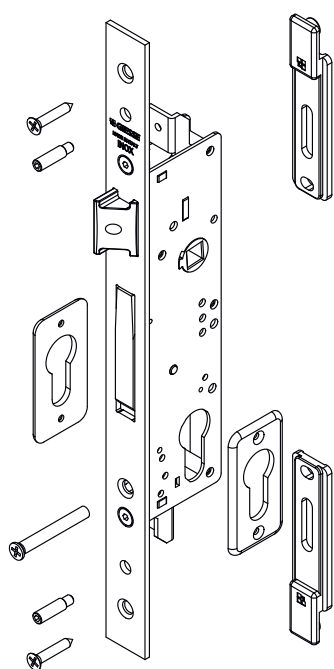
Spring latch and bolts in nickel-plated steel

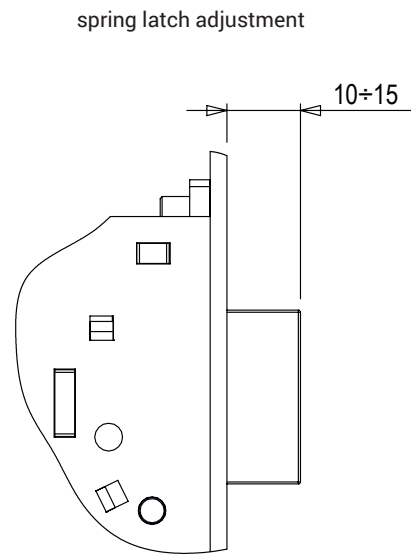
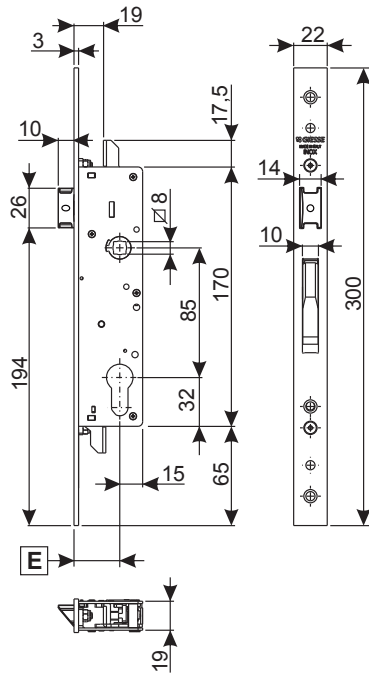
Rod connection adapters in zamak

Polyamide cylinder machining cover studs

Pins for fixing adapters and screw for fixing cylinder in zinc plated steel

Lock fixing screws in stainless steel





Item code	Description	BACKSET E [mm]	FRONT WIDTH [mm]	PROFILE CROSS - SECTION	Compatible counter-plates	Base Raw	Anodised Elox	Painted	Trend/Gold Brass	Pieces per pack
0462701	LOCK FOR TOP/BOTTOM FASTENING	30	22	04630 - 04639 - 04859 - 04860	X					1
0462801	LOCK FOR TOP/BOTTOM FASTENING	35	22	C001-C002-C003-C004-C005-C006-C009-C010-C011-C012-C013-C014-C016-C017	04630 - 04639 - 04859 - 04860	X				10