

LOCKS FOR PERIMETER LOCKING

Functions

Central lock with spring latch and bolt, slip-on version for aluminium uprights, with two-way mechanism operated by handle.

Online data sheet



Technical Features

Lock compatible with European profile cylinders, available in version with or without bolt.

Coupled with the polyamide rod, via the specific connection adapters, the lock enables making multipoint locking by suitably choosing the number and the position of the lock points on the various sides of the door.

Operation of the spring latch, bolt (on the version fitted with them) and adapters using the 8 mm handle spindle.

Locking and unlocking the handle using the key.

Cylinder handle C/C distance 85 mm and 92 mm.

Bolt with thickness of 6 mm and stroke of 20 mm.

Reversible spring latch (left/right) with 10 mm protrusion.

Stroke is 18 mm.

The adapters for connecting to the rod have connecting pins size 8 mm.

Note: For the lock to function properly it is mandatory to fit a pair of internal/external handles

Materials

Lock cover plate and case plate in zinc plated steel (except for Article 04699 that has a stainless steel body)

Internal components in zinc plated steel

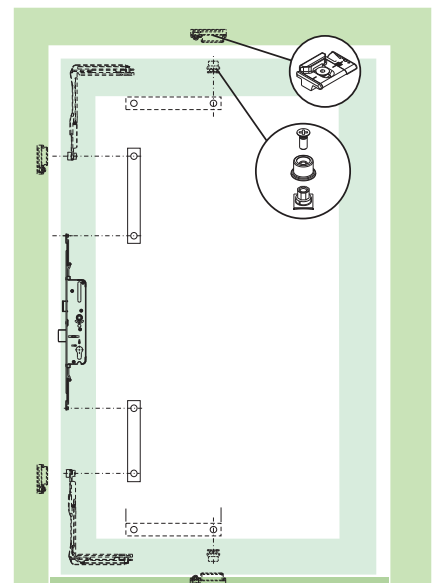
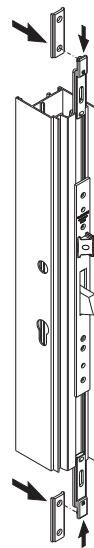
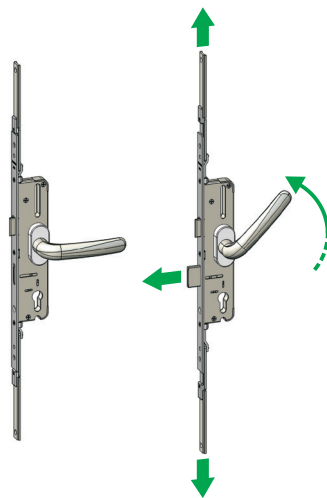
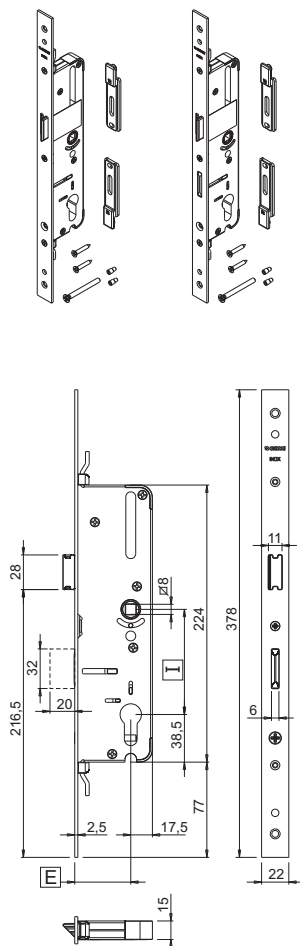
Flat front in stainless steel

Spring latch and bolt in zinc plated zamak

Rod connection adapters in zamak

Pins for fixing adapters and screws for fixing lock in zinc plated steel

Stainless steel cylinder fixing screw



Item code	Description	BACKSET [mm]	CYLINDER HANDLE C/C DISTANCE [mm]	FRONT WIDTH [mm]	BOLT	PROFILE CROSS - SECTION	COMPATIBLE COUNTER-PLATES	Base Raw	Anodised Elox	Painted	Trend/Gold Brass	Pieces per pack
04645	LOCK FOR PERIMETER FASTENING	35	85	22	NO	C001-C002-C003-C004-C005-C006-C009-C010-C011-C012-C013-C014-C016-C017	04655	X				1
04646	LOCK FOR PERIMETER FASTENING	35	85	22	YES	C001-C002-C003-C004-C005-C006-C009-C010-C011-C012-C013-C014-C016-C017	04655	X				1
04649	LOCK FOR PERIMETER FASTENING	45	85	22	NO	C001-C002-C003-C004-C005-C006-C009-C010-C011-C012-C013-C014-C016-C017	04655	X				1
04650	LOCK FOR PERIMETER FASTENING	45	85	22	YES	C001	04655	X				1
04659	LOCK FOR PERIMETER FASTENING	35	92	22	YES	C001-C002-C003-C004-C005-C006-C009-C010-C011-C012-C013-C014-C016-C017	04655	X				1
04698	LOCK FOR PERIMETER FASTENING	45	92	22	NO	C001-C002-C003-C004-C005-C006-C009-C010-C011-C012-C013-C014-C016-C017	04655	X				1
04699	LOCK FOR PERIMETER FASTENING	45	92	22	YES	C001-C002-C003-C004-C005-C006-C009-C010-C011-C012-C013-C014-C016-C017	04655	X				1