

## UNICA SYSTEM OUTWARD OPENING KIT



### Functions

Kit to be combined with the UNICA and UNICA KEY cremones, composed of all the elements necessary to make the fastening mechanism of an outward-opening casement.

Online data sheet



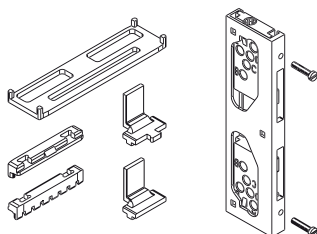
### Technical Features

Using this kit allows you to convert the UNICA cremone mechanism into a cremone for outward opening casements. Composed of the elements inside the Cremone (rack, sliders and plate) to be assembled easily by hand, all completed by the Outward Opening mechanism and in some cases by the fastening mechanisms (strikers and terminals).

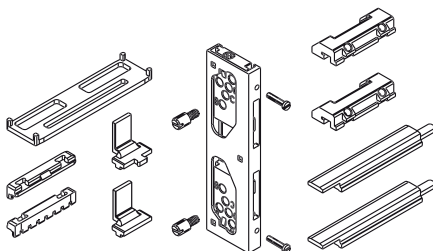
### Materials

Black polyamide plate  
Sliders and racks in zinc plated zamak  
Zinc plated steel screws  
Mechanism in extruded aluminium  
Connecting block in black polyamide

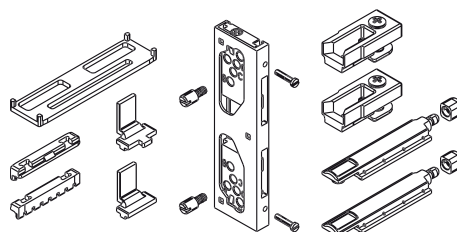
Art. 02237



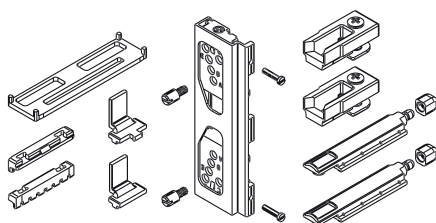
Art. 02238



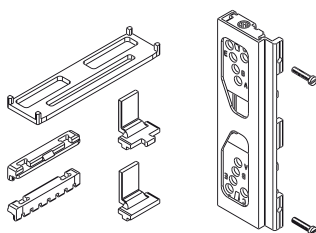
Art. 02240



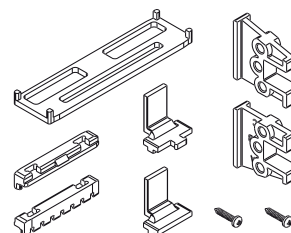
Art. 02241



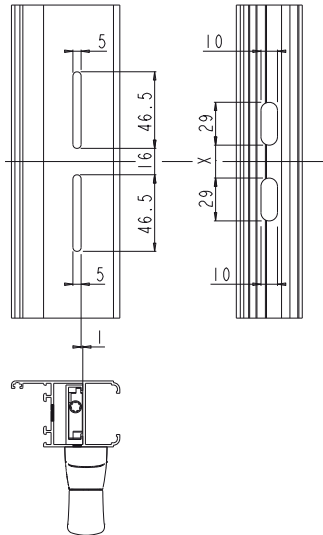
Art. 02243



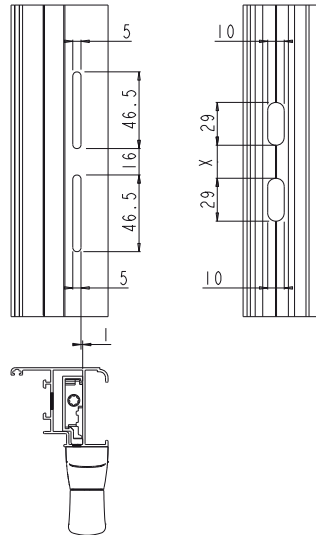
Art. 02244



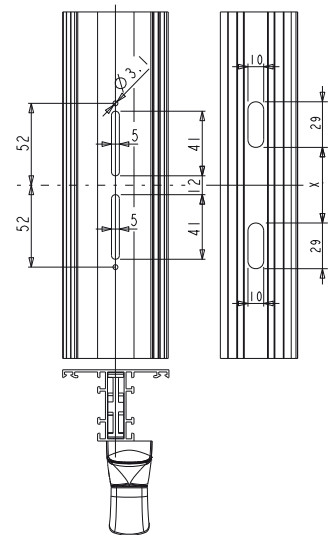
Machining type 1



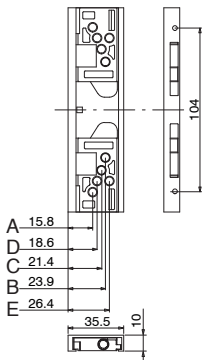
Machining type 2



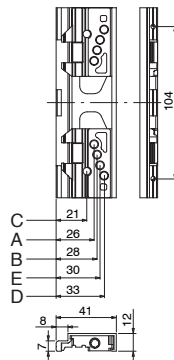
Machining type 3



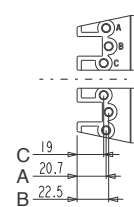
Type 1



Type 2



Type 3



Item code	Description	Type	Can be combined with	Machinings	Operation	Pull handle 0°	Pull handle 90°	Base Raw	Anodised Elox	Painted	Trend/Gold Brass	Pieces per pack
02237	KIT FOR OUTWARD OPENING UNICA SYSTEM	Outward Opening	01063 - 01150N - 01151N - 01126	1	Two-way	closed	open	X				50
02240	KIT FOR OUTWARD OPENING UNICA SYSTEM	Outward Opening	01063 - 01150N - 01151N - 01126	1	Two-way	closed	open	X				50
02241	KIT FOR OUTWARD OPENING UNICA SYSTEM	Outward Opening	01063 - 01150N - 01151N - 01126	2	Two-way	closed	open	X				50
02243	KIT FOR OUTWARD OPENING UNICA SYSTEM	Outward Opening	01063 - 01150N - 01151N - 01126	2	Two-way	closed	open	X				50
02245	KIT FOR OUTWARD OPENING UNICA SYSTEM	Outward Opening	01063 - 01150N - 01151N - 01126		Two-way	closed	open	X				20
02246	KIT FOR OUTWARD OPENING UNICA SYSTEM	Outward Opening	01063 - 01150N - 01151N - 01126		Two-way	closed	open	X				20