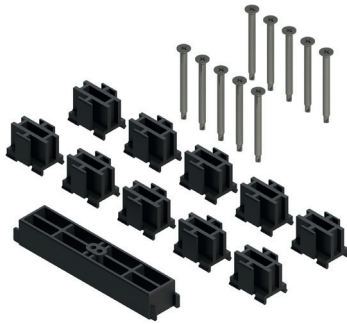


GS3000 SHIMS



Functions

Profile shims for drive gear and main pulley for GS3000 lift and slide system.

Online data sheet



Technical features

Set of adapters to combine with the drive gear and main pulley to fit the hardware in the profile groove.

Available in various sizes to be selected in accordance with the profile, drive gear and type of locking point employed.

Each set of shims consists of:

- 10 shims to install on drive gear
- 1 shim to install on main pulley
- self-threading fixing screws

Materials

Polyamide shims

Zinc plated steel self-threading screws

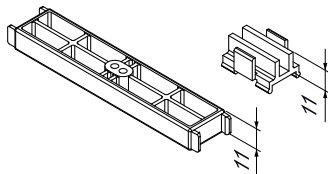
Stainless steel grub screws

Side container shims available to lodge the pulleys in a stable position inside special profile slots without any lateral containment.

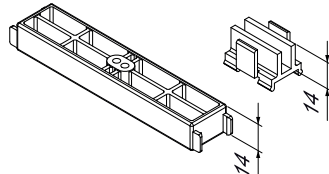
The shims are fixed to the profile using grub screws.

Shims available to combine with the fixed locking point and locking point with micro-ventilation.

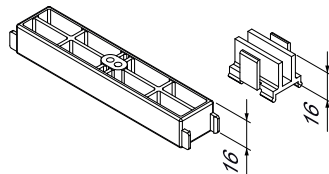
Art. 07153



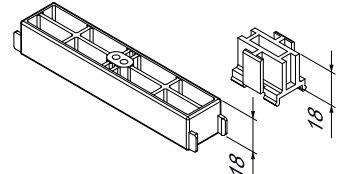
Art. 07154



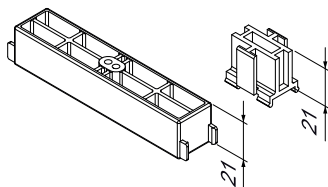
Art. 07155



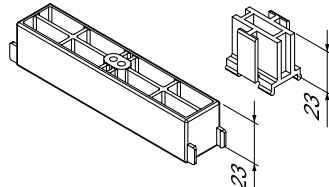
Art. 07156



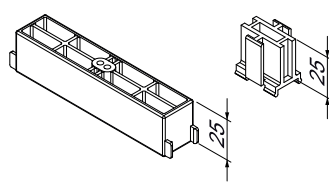
Art. 07157



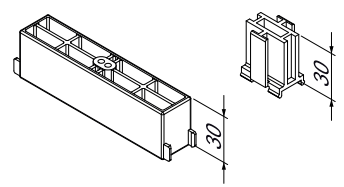
Art. 07158



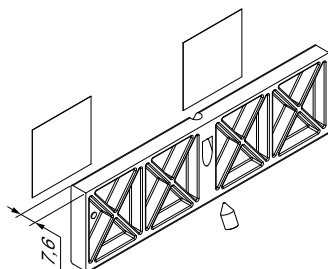
Art. 07159



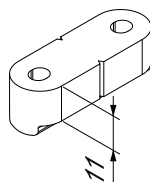
Art. 07160



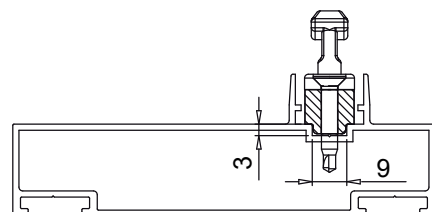
Art. 07162



Art. 07163

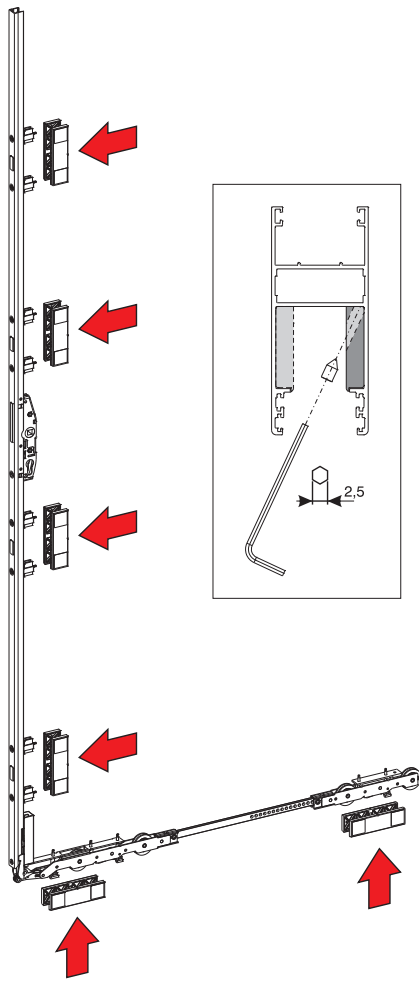


Shim fitting for locking point

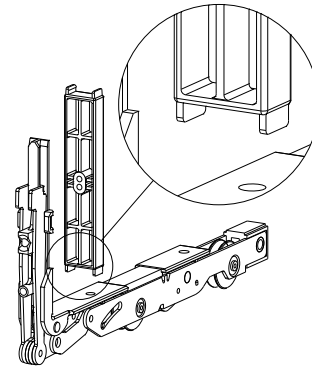


GS3000 - 300/400 LIFT AND SLIDE

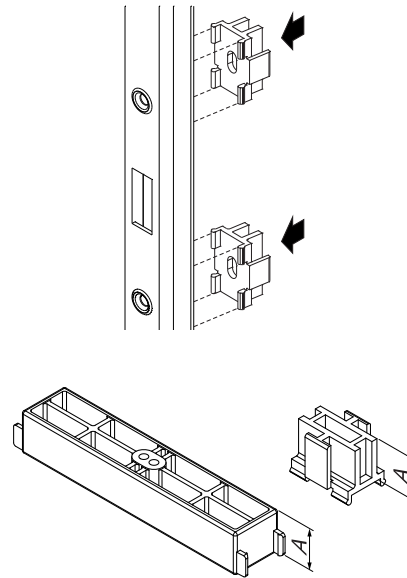
Lateral container shims assembly diagram



Assembly of main pulley shim



Assembly of shims to drive gear



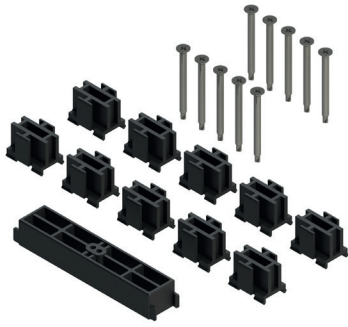
Item code	Description	Dimension (A)	Base Raw	Anodised Elox	Painted	Trend/Gold Brass	Pieces per pack
07153	SHIMS 11 FOR ROD AND PULLEY-GS3000	11 mm	X				1
07154	SHIMS 14 FOR ROD AND PULLEY-GS3000	14 mm	X				1
07155	SHIMS 16 FOR ROD AND PULLEY-GS3000	16 mm	X				1
07156	SHIMS 18 FOR ROD AND PULLEY-GS3000	18 mm	X				1
07157	SHIMS 21 FOR ROD AND PULLEY-GS3000	21 mm	X				1
07158	SHIMS 23 FOR ROD AND PULLEY-GS3000	23 mm	X				1
07159	SHIMS 25 FOR ROD AND PULLEY-GS3000	25 mm	X				1
07160	SHIMS 30 FOR ROD AND PULLEY-GS3000	30 mm	X				1
07162	PULLEY SHIM - GS3000	-	X				20
07163	SHIM FOR LOCKING POINT - GS3000	-	X				20

GS3000 SHIMS

Functions

Profile shims for drive gear and main pulley for GS3000 lift and slide system.

Online data sheet



Technical features

Set of adapters to combine with the drive gear and main pulley to fit the hardware in the profile groove.

Available in various sizes to be selected in accordance with the profile, drive gear and type of locking point employed.

Each set of shims consists of:

- 10 shims to install on drive gear
- 1 shim to install on main pulley
- self-threading fixing screws

Materials

Polyamide shims

Zinc plated steel self-threading screws

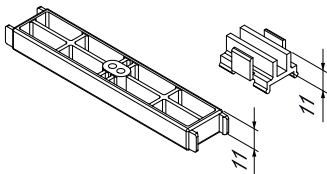
Stainless steel grub screws

Side container shims available to lodge the pulleys in a stable position inside special profile slots without any lateral containment.

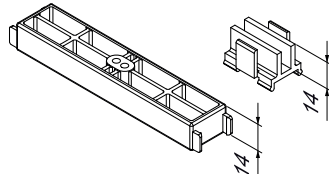
The shims are fixed to the profile using grub screws.

Shims available to combine with the fixed locking point and locking point with micro-ventilation.

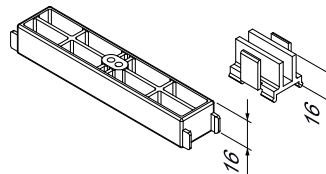
Art. 07153



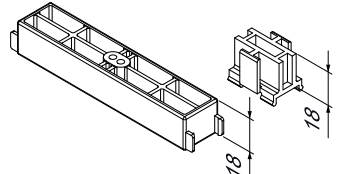
Art. 07154



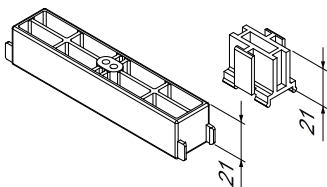
Art. 07155



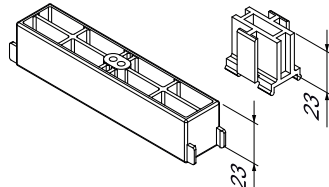
Art. 07156



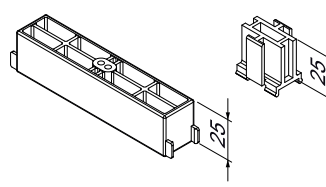
Art. 07157



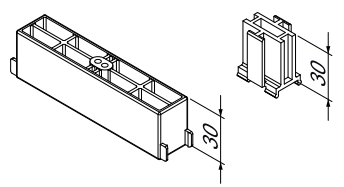
Art. 07158



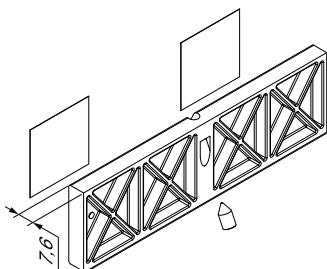
Art. 07159



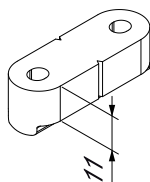
Art. 07160



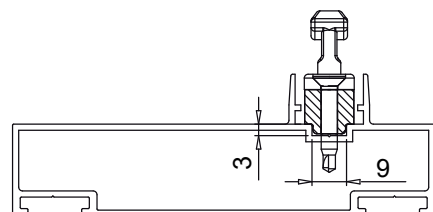
Art. 07162



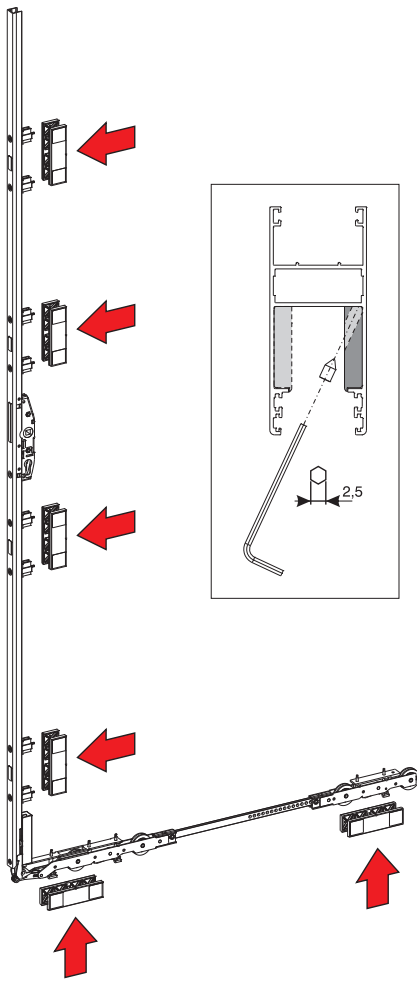
Art. 07163



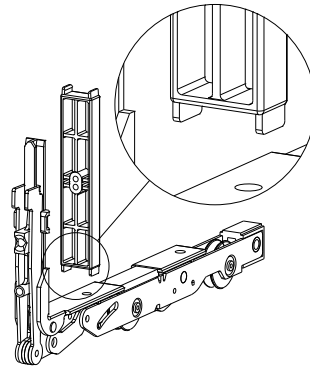
Shim fitting for locking point



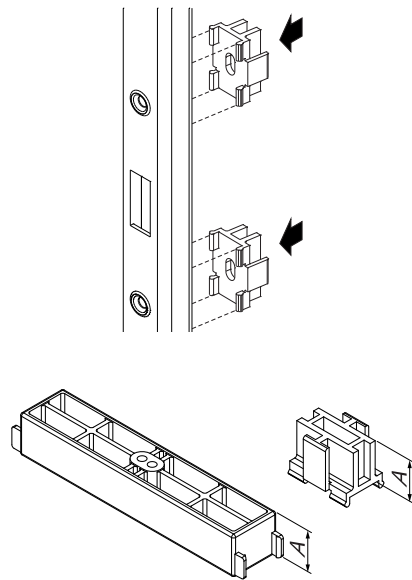
Lateral container shims assembly diagram



Assembly of main pulley shim



Assembly of shims to drive gear



Item code	Description	Dimension (A)	Base Raw	Anodised Elox	Painted	Trend/Gold Brass	Pieces per pack
07153	SHIMS 11 FOR ROD AND PULLEY-GS3000	11 mm	X				1
07154	SHIMS 14 FOR ROD AND PULLEY-GS3000	14 mm	X				1
07155	SHIMS 16 FOR ROD AND PULLEY-GS3000	16 mm	X				1
07156	SHIMS 18 FOR ROD AND PULLEY-GS3000	18 mm	X				1
07157	SHIMS 21 FOR ROD AND PULLEY-GS3000	21 mm	X				1
07158	SHIMS 23 FOR ROD AND PULLEY-GS3000	23 mm	X				1
07159	SHIMS 25 FOR ROD AND PULLEY-GS3000	25 mm	X				1
07160	SHIMS 30 FOR ROD AND PULLEY-GS3000	30 mm	X				1
07162	PULLEY SHIM - GS3000	-	X				20
07163	SHIM FOR LOCKING POINT - GS3000	-	X				20