



## SHIMS FOR PROJECTING ARMS

### Functions

Accessories that allow quick installation and adjustment of the range of projecting arms.

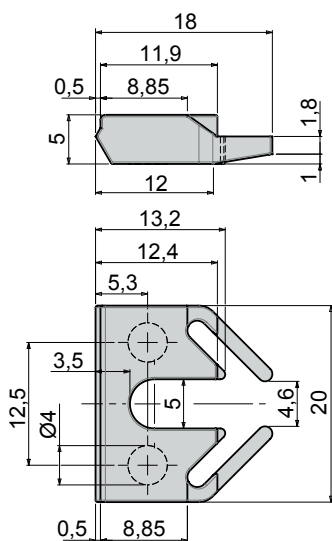
### Packaging

20 kits of 6 shims

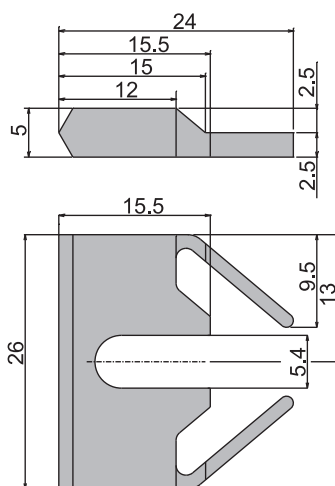
Online data sheet



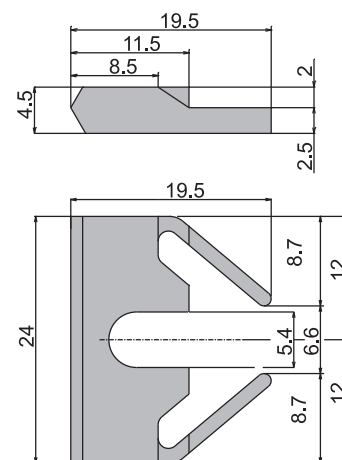
Code 01971



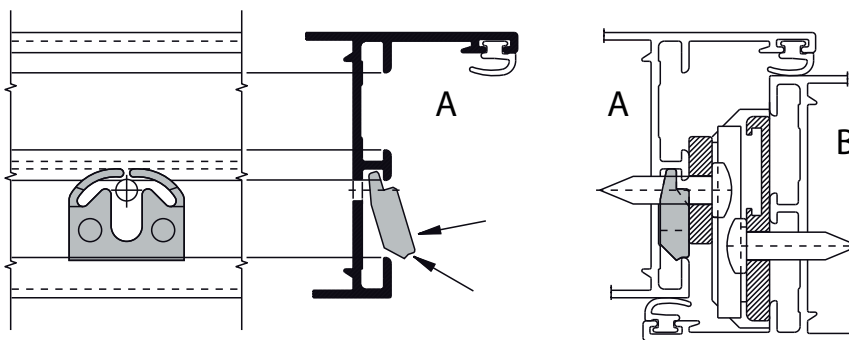
Code 01972



Code 01974



Example of application (A: sash, B: frame)



Item code	Description	PROFILE CROSS - SECTION	Notes	Base Raw	Anodised Elox	Painted	Trend/Gold Brass	Pieces per pack
01971	Polyamide filling shim	C001-C007-C016	for 14/18 channel (frame)	X				20
01972	Polyamide filling shim	C008	-	X				20
01974	Polyamide filling shim	C001-C003-C009-C010	for 15/20 channel (sash)	X				20