

## SNAP-MOUNTING CORNER JOINTS

### Functions

Snap-mounting joint for assembling aluminium profiles on a corner.

Online data sheet



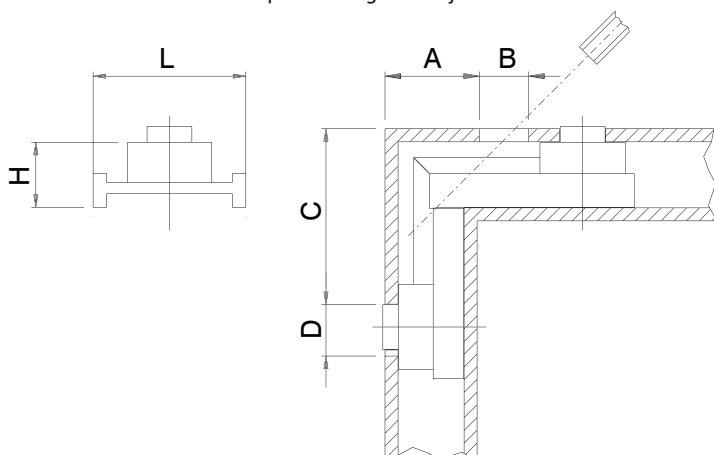
### Technical Features

Corner joint with buttons dia. 10 mm.  
The two spring-loaded buttons enable quick and secure assembly.  
The closing screw and locknut makes for quick assembly of the parts.  
Specific for joining profiles with 45° end cut.

### Materials

Corner joint in die-cast aluminium with snap-mounting anchoring buttons.

Snap-mounting corner joint



Item code	Description	L (mm)	H (mm)	A (mm)	B (mm)	C (mm)	D (mm)	Button	Centred button	Hand	Base Raw	Anodised Elox	Painted	Trend/Gold Brass	Pieces per pack
00305	SNAP-MOUNTING CORNER JOINT	36	14	21	11x6	41	10,5	External	Yes		X				250
00313	SNAP-MOUNTING CORNER JOINT	28,5	14,5	21	11x6	41,5	11,5	External	Yes		X				250
00367	SNAP-MOUNTING CORNER JOINT	28,5	34,8	26	13x8	47	10,5	External	Yes		X				200
06575	SNAP-MOUNTING CORNER JOINT	16,8	14,3	21	11x6	41	10	External	Yes		X				250