

## KAMEL SNAP-MOUNTING CORNER JOINTS

### Functions

Snap-mounting joint for assembling aluminium profiles on a corner.

Online data sheet



### Technical Features

Corner joint with external buttons dia. 10 mm  
 The two spring-loaded buttons enable quick and secure assembly.  
 The closing screw makes for quick assembly of the parts.  
 Specific for joining profiles with 45° end cut.  
 Oversized tubular sections need to be coupled with a shimming bracket (see table).

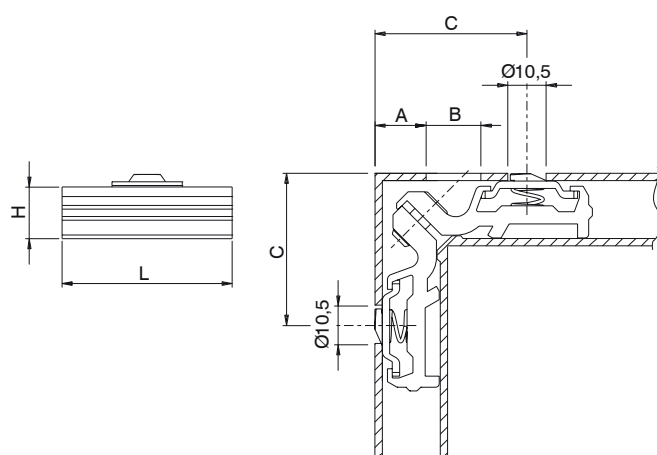
### Materials

Extruded aluminium  
 Screw in Geomet and buttons in steel with GS Silver Plus finish (over 500 hours of corrosion resistance)  
 Springs in stainless steel

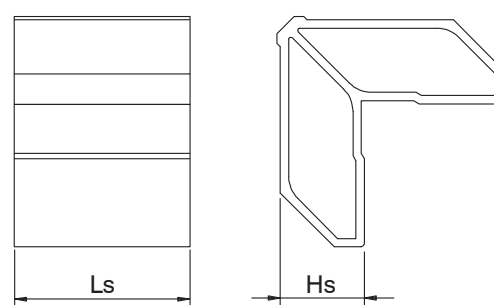
### Parts

CSH screw M6x14.8

Kamel snap-mounting corner joint



Shimming bracket



Item code	Description	L (mm)	H (mm)	A (mm)	B (mm)	C (mm)	Centred button	Shimming bracket	Ls (mm)	Hs (mm)	Base Raw	Anodised Elox	Painted	Trend/Gold Brass	Pieces per pack
00332	KAMEL snap-mounting CORNER JOINT	20,2	14,1÷15,5	15	14x5	43	Yes	03602	20,2	16	X				250
00336	KAMEL snap-mounting CORNER JOINT	46	14,1÷15,5	14	14x5	42	Yes	00337	-	-	X				100
00337	SHIMMING BRACKET	-	-	-	-	-	-	-	46	23,7	X				100
00338	KAMEL snap-mounting CORNER JOINT	28,5	14,1÷15,5	14	14x5	43	No	00339	-	-	X				50
00339	SHIMMING BRACKET	-	-	-	-	-	-	-	28,5	23,7	X				100
00340	KAMEL CORNER JOINT + SHIMMING BRACKET	40,9	37,8÷39,2	15	14x5	43	Yes	-	41,1	21,7	X				50
00344	KAMEL snap-mounting CORNER JOINT	28,5	14,1÷15,5	14	14x5	37,25	Yes	00339	28,5	23,7	X				100
00348	KAMEL snap-mounting CORNER JOINT	34,5	14,1÷15,5	14	14x6	42	No	00349	-	-	X				50
00349	SHIMMING BRACKET	-	-	-	-	-	-	-	34,5	23,7	X				100
00357	KAMEL snap-mounting CORNER JOINT	33,9	14,1÷15,5	14	14x5	43	Yes	-	33,9	21,7	X				100