

## KAMELDUE SNAP-MOUNTING CORNER JOINTS

### Functions

Snap-mounting joint for assembling aluminium profiles on a corner.

Online data sheet



### Technical Features

Corner joint with external buttons dia. 10 mm.  
The two spring-loaded buttons enable quick and secure assembly.  
The closing screw makes for quick assembly of the parts.  
Specific for joining profiles with 45° end cut.  
For oversized profiles a shimming bracket is available.

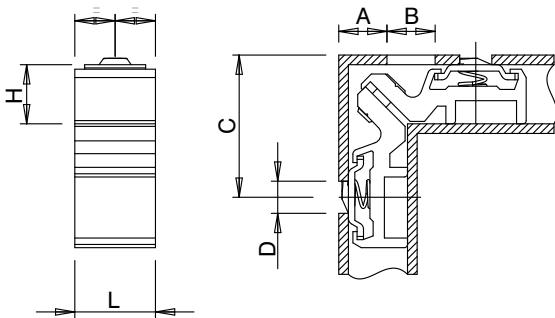
### Materials

Body in extruded aluminium  
Screw in Geomet and buttons in steel with GS Silver Plus finish (over 500 hours of corrosion resistance).  
Springs in stainless steel

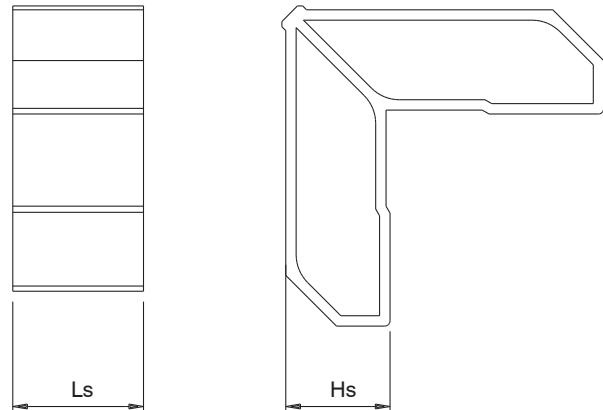
### Parts

CSH screw M6x14.8

Kameldue snap-mounting corner joint



Shimming bracket



Item code	Description	L (mm)	H (mm)	A (mm)	B (mm)	C (mm)	D (mm)	Centred button	Ls (mm)	Hs (mm)	Base Raw	Anodised Elox	Painted	Trend/Gold Brass	Pieces per pack
00330	KAMELDUE snap-mounting CORNER JOINT	25,1	17,4÷18,5	15	14x5	43	10,5	Yes	-	-	X				100
00335	SHIMMING BRACKET	-	-	-	-	-	-	-	25,1	20	X				100