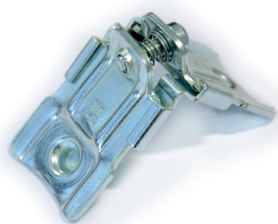


KAPPA SNAP-MOUNTING CORNER JOINTS

**Functions**

Joining element, for corner connection of aluminium profiles.

Online data sheet

**Technical Features**

Corner joint with internal buttons dia. 10mm.

Made entirely of steel.

The closing screw makes for quick assembly of the parts.

Specific for joining profiles with 45° end cut.

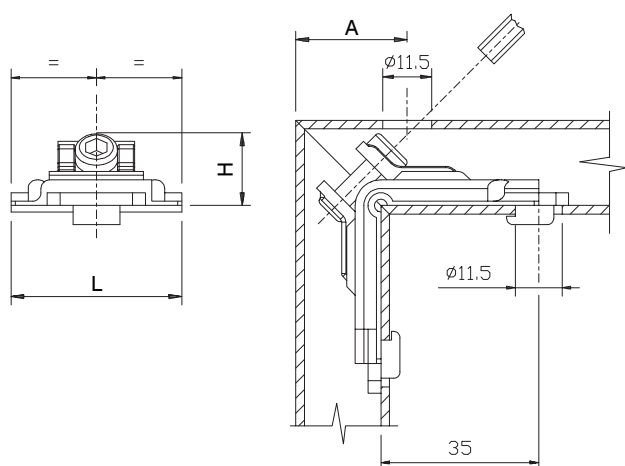
Materials

Body, corner guide, expansion spring and screw in zinc plated steel.

Parts

HSH screw M6x16

Kappa snap-mounting corner joint



Item code	Description	L (mm)	H (mm)	A (mm)	Base Raw	Anodised Elox	Painted	Trend/Gold Brass	Pieces per pack
00321010	KAPPA steel CORNER JOINT	35,5	MIN.14.5	25	X				200
00322010	KAPPA steel CORNER JOINT	41	MIN.14.5	see Where Used Giesse	X				200
00323010	KAPPA steel CORNER JOINT	45	MIN.14.5	see Where Used Giesse	X				200