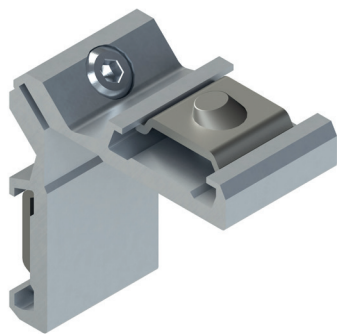


REX SNAP-MOUNTING CORNER JOINTS



Functions

Snap-mounting joint for assembling aluminium profiles on a corner.

Online data sheet



Technical Features

Corner joint with external buttons dia. 10 mm.
The two spring-loaded buttons enable quick and secure assembly.
The closing screw makes for quick assembly of the parts.
Specific for joining profiles with 45° end cut.

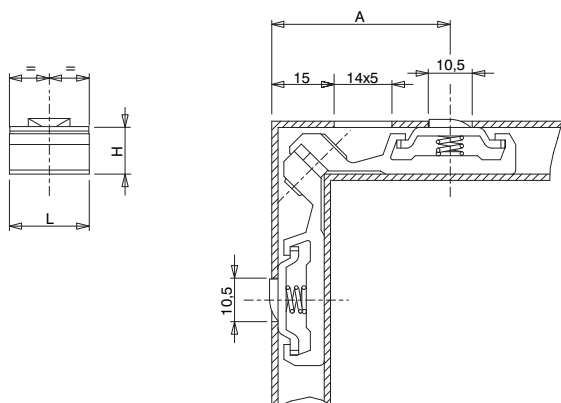
Materials

Body in extruded aluminium
Screw in Geomet and buttons in steel with GS Silver Plus finish (over 500 hours of corrosion resistance)
Springs in stainless steel

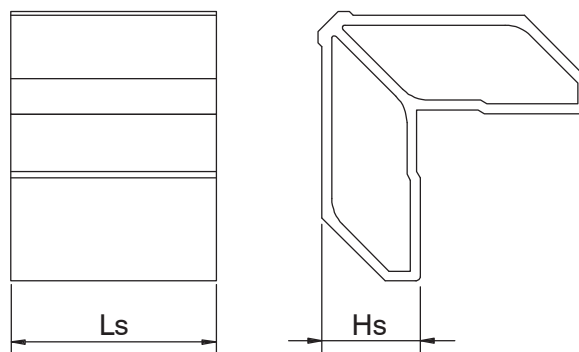
Parts

CSH screw M6 x 14.8

Rex snap-mounting corner joint



Shimming bracket



Item code	Description	L (mm)	H (mm)	A (mm)	Matching products	Ls (mm)	Hs (mm)	Base Raw	Anodised Elox	Painted	Trend/Gold Brass	Pieces per pack
00325	REX snap-mounting CORNER JOINT	19,2	10,3÷11,2	42÷43	-	-	-	X				250
00326	REX snap-mounting CORNER JOINT	28,5	10,3÷11,2	42÷43	-	-	-	X				250
00334	SHIMMING BRACKET	-	-	-	00356	30,4	23,7	X				100
00350	REX snap-mounting CORNER JOINT	41	10,3÷11,2	42÷43	-	-	-	X				250
00351X	REX snap-mounting CORNER JOINT	24	10,3÷11,2	42÷43	-	-	-	X				250
00352	REX snap-mounting CORNER JOINT	22,4	10,3÷11,2	43	-	-	-	X				250
00353	REX snap-mounting CORNER JOINT	19,5	10,3÷11,2	42÷43	-	-	-	X				250
00355	REX snap-mounting CORNER JOINT	26	10,3÷11,2	42÷43	-	-	-	X				250
00356	REX snap-mounting CORNER JOINT	35,7	10,3÷11,2	42÷43	00334	-	-	X				250