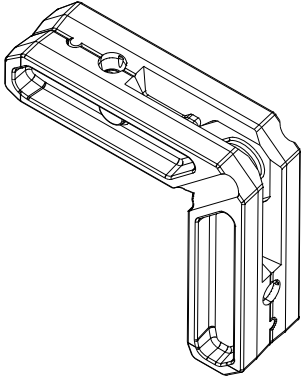


MULTIFUNCTION CORNER JOINT



Functions

Joining element for corner connection of aluminium profiles.

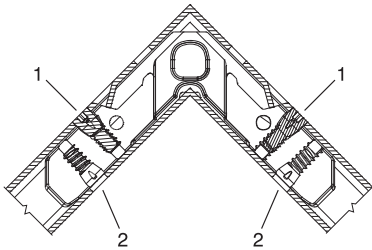
Online data sheet



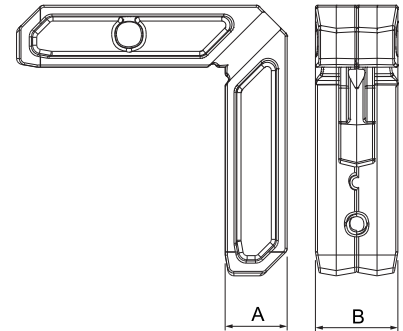
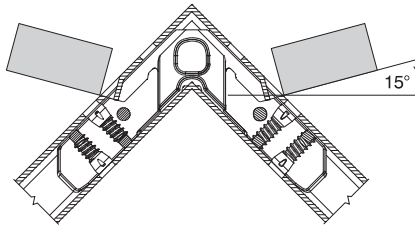
Technical Features

Multipurpose corner joint: for screwing (in combination with certain screws), pinning or crimping with special grooves for the glue to run along.

Tightening with screw: (1) outward opening (2) inward opening



Tightening with crimping



Item code	Description	A (mm)	B (mm)	Can be combined with	Base Raw	Anodised Elox	Painted	Trend/Gold Brass	Pieces per pack
06521	SCREW M5X14_D8	14	Ø8	06532, 06533, 06534, 06535	X				1000
06523	SCREW M5X12.5_ST	12	Ø8		X				1000
06532	MULTI-FUNCTIONAL CORNER JOINT	14,4	23	06521	X				200
06533	MULTI-FUNCTIONAL CORNER JOINT	14,3	16,8	06521	X				200
06534	MULTI-FUNCTIONAL CORNER JOINT	14,8	26,4	06521	X				200
06535	MULTI-FUNCTIONAL CORNER JOINT	14,5	19,5	06521	X				200