

VARIA SLIM PLUS HARDWARE



Functions

Metal fixing brackets applicable in combination with the Varia Slim Plus range of chain actuators (all models).

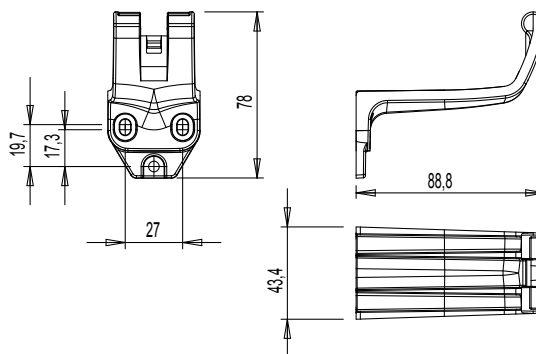
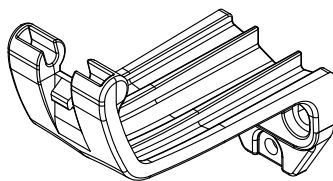
Technical Features

The Varia Slim Plus range of actuators is supplied exclusively with the frame fixing brackets.

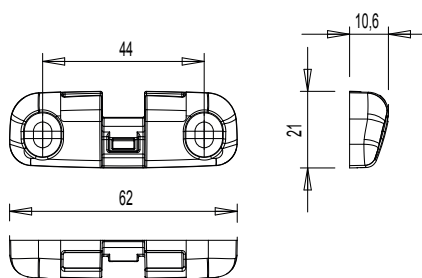
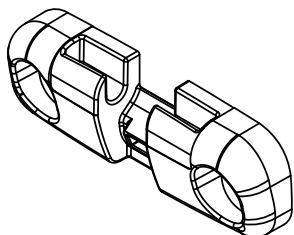
The sash fixing bracket must be selected on the basis of the casement to be automated and the profile geometry.

All products, with the exception of art. 05909, are available in the finishes: black (500: RAL 9005), white (410 – RAL 9010), grey/silver (970 – RAL 9006). Refer to the table for details of compatibility with the range of actuators.

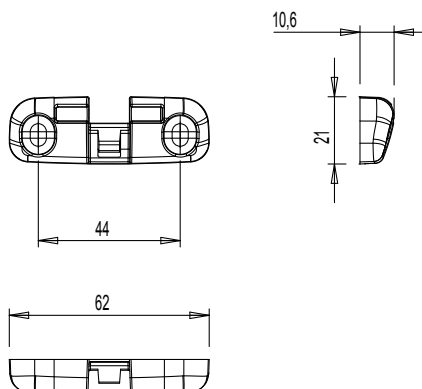
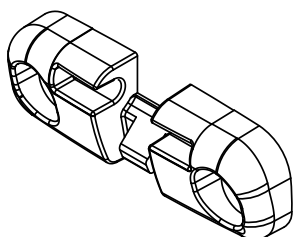
05900



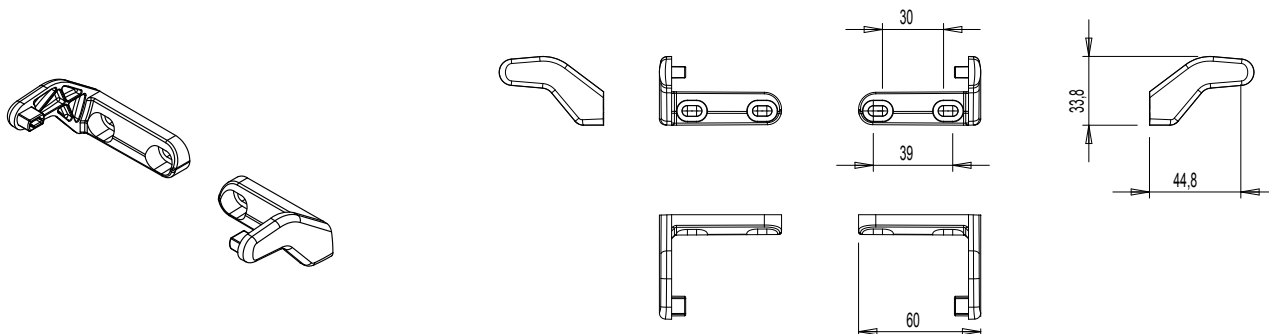
05901



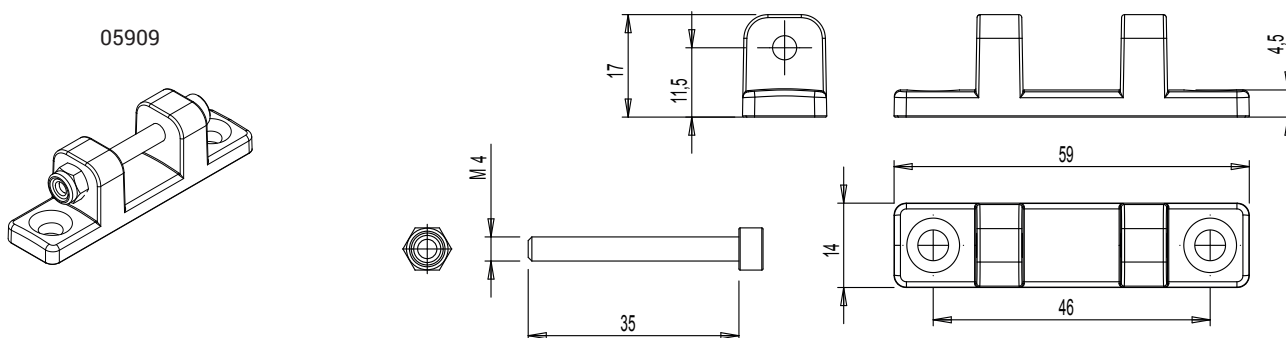
05902



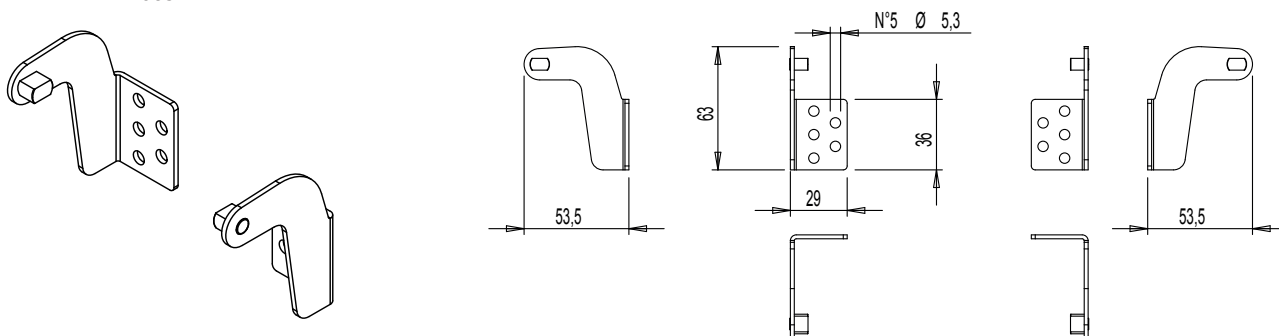
05903



05909



05911



Item code	Description	Material	Supplied with Varia Slim Plus	Compatible with	Base Raw	Anodised Elox	Painted	Trend/Gold Brass	Pieces per pack
05900	VARIA SLIM PLUS BOTTOM-HUNG WINDOW BRACKETS (SASH)	Painted zamak	No	Varia Slim Plus			X		1
05901	VARIA SLIM PLUS VERTICAL TOP-HUNG WINDOW BRACKET (SASH)	Painted zamak	No	Varia Slim Plus			X		1
05902	VARIA SLIM PLUS HORIZONTAL TOP-HUNG WINDOW BRACKET (SASH)	Painted zamak	No	Varia Slim Plus			X		1
05903	VARIA SLIM PLUS STANDARD FIXING BRACKET (FRAME)	Painted zamak	Yes	Varia Slim Plus			X		1
05909	VARIA SLIM PLUS TOP-HUNG BRACKET (SASH) - H15 MM	Unfinished Zamak	No	Varia Slim Plus	X				1
05911	VARIA SLIM PLUS FIXING BRACKET (FRAME)	Painted steel	No	Varia Slim Plus			X		1