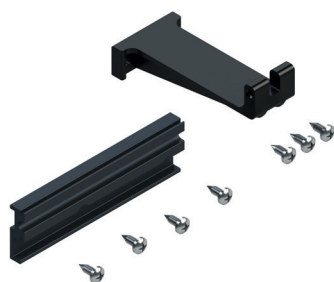


## REPLACEMENT BRACKETS KIT FOR VARIA ACTUATORS



### Functions

Front fixing brackets for automation of top-hung or bottom-hung casements.

### Technical Features

Kit containing the front fixing brackets and related fixing screws for automation of top-hung or bottom-hung casements.

These products are compatible with the VARIA 24Vdc art. 01495 and VARIA UNI 230Vac, art. 01654 chain actuators.

The kits are used as replacement parts since the frame and sash brackets are always supplied with VARIA actuators.

The fixing screws supplied are suitable for aluminium profiles.

### Materials

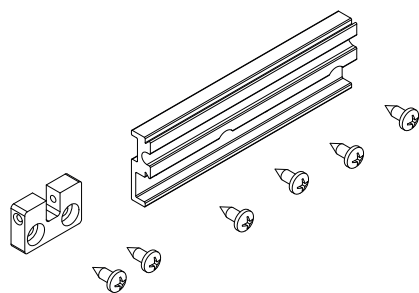
Operator support bracket for frame connection in extruded aluminum with black colour anodized finish (all products)

Top-hung window bracket (sash) in Zamak (art. 04794).

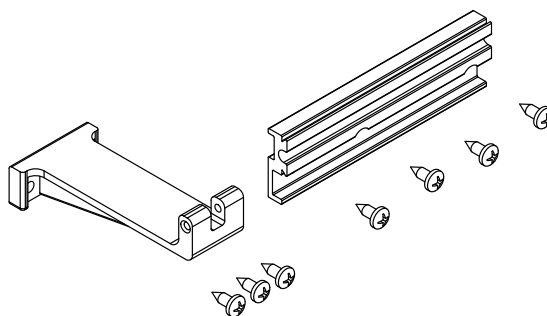
Bottom-hung window bracket (sash) in black polyamide (art. 04795)

Galvanized steel screws (all products)

04794



04795



Item code	Description	Note	Base Raw	Anodised Elox	Painted	Trend/Gold Brass	Pieces per pack
04794	VARIA TOP-HUNG WINDOW KIT WITH SCREWS		X				10
04795	VARIA BOTTOM-HUNG WINDOW KIT WITH SCREWS		X				10