

SPARE PARTS AND SPECIAL HARDWARE FOR VARIA SLIM AND VARIA SLIM BASE ACTUATORS



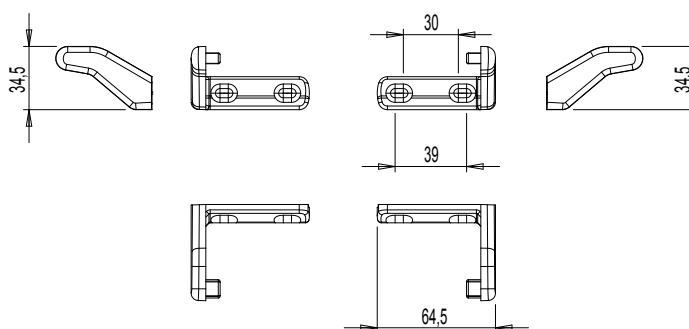
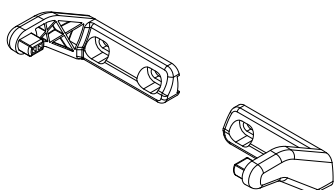
Functions

Replacement fixing brackets and additional brackets for special applications compatible with the chain actuators in the Varia Slim and Varia Slim Base range.

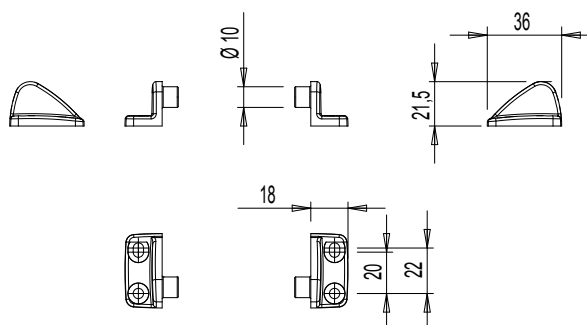
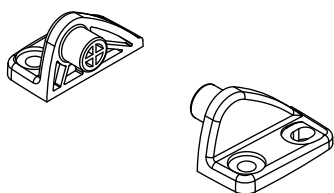
Materials

Sash and frame brackets in fibreglass-reinforced polyamide
Stainless steel quick-fit fixing clip

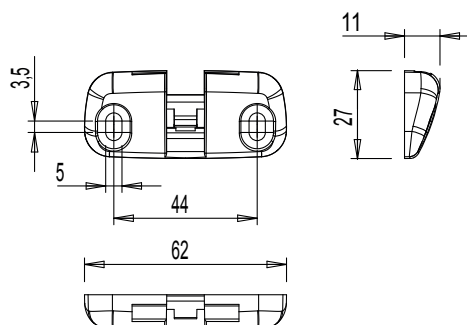
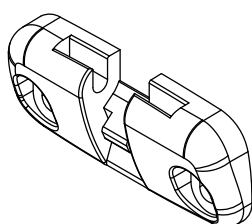
05904



05905

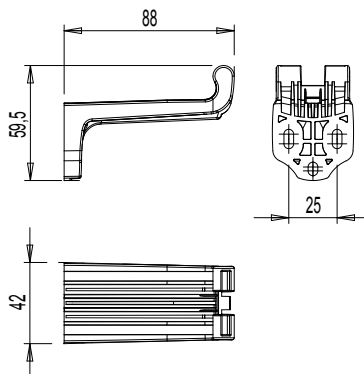
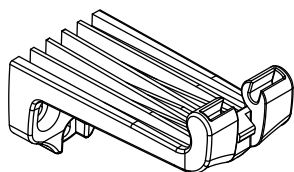


05906

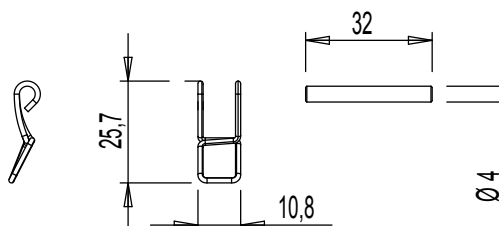
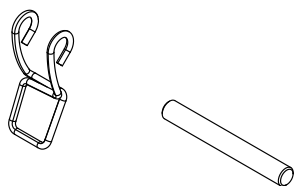


CHAIN ACTUATORS

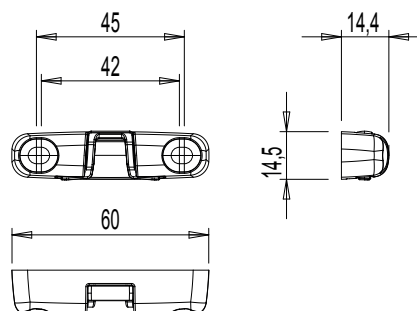
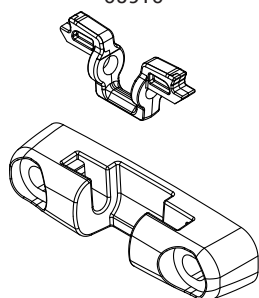
05907



05908



05910



Item code	Description	Supplied with	Compatible with	Base Raw	Anodised Elox	Painted	Trend/Gold Brass	Pieces per pack
05904	SUPPORT BRACKETS (FRAME)	Varia Slim Base, Varia Slim, Varia Slim Radio	Varia Slim Base, Varia Slim, Varia Slim Radio	X				10
05905	SUPPORT BRACKETS (FRAME) FOR VERTICAL FIXING	Varia Slim, Varia Slim Radio	Varia Slim, Varia Slim Radio	X				10
05906	FIXING BRACKET FOR TOP-HUNG WINDOW	Varia Slim Base, Varia Slim, Varia Slim Radio	Varia Slim Base, Varia Slim, Varia Slim Radio	X				10
05907	FIXING BRACKET FOR BOT-TOM-HUNG WINDOW	Varia Slim Base, Varia Slim, Varia Slim Radio	Varia Slim Base, Varia Slim, Varia Slim Radio	X				10
05908	QUICK-FIT FIXING CLIP	Varia Slim Base, Varia Slim, Varia Slim Radio, Varia Slim Plus	Varia Slim Base, Varia Slim, Varia Slim Radio, Varia Slim Plus	X				10
05910	FRONT FIXING BRACKET FOR TOP-HUNG WINDOW	Varia Slim Base, Varia Slim, Varia Slim Radio	Varia Slim Base, Varia Slim, Varia Slim Radio	X				10