

SUPRA 7 - DOUBLE WINDOW HANDLES



Functions

Innovative double mechanism system without washer which can be used for moving window sashes with different types of opening, having mechanisms compatible with 7 mm square pins and which can be combined with all Giesse products having the same design.

Online data sheet



Technical Features

The Supra 7 double window handles can be combined with the Giesse sliding casement and side-hung sash movements and mechanisms which have a rotor compatible with 7 mm square pins.

The product, due to its exclusive design, can be combined with all the other Giesse products having the same design intended for other types of sashes (door, handles for lift-and-slide etc.).

Products applicable on sash with profiles wide from 26 to 85 mm.

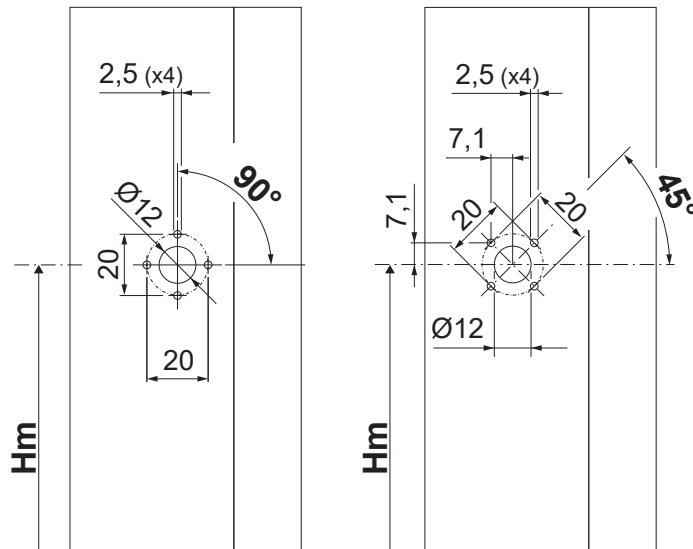
Materials

Handle in die-cast aluminium

Internal components made of GS SILVER PLUS zamak, zinc plated steel and white polyamide

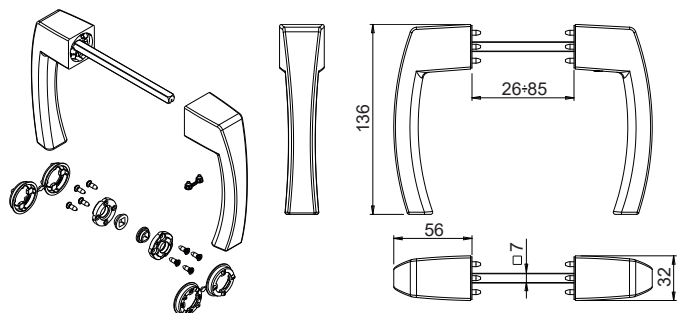
Zinc plated steel fixing screws, with Eslock treatment

Fixing with 45° or 90° machining



04395

04396



04397

04398

Item code	Description	Type of pin (mm)	Pin length (mm)	Sash width (mm)	Pull handle 0°	Pull handle 90°	Base Raw	Anodised Elox	Painted	Trend/Gold Brass	Pieces per pack
04395	SUPRA 7 - ASIA DOUBLE WINDOW HANDLE	7	112	26 ÷ 85	Closed	Open	X		X	X	5
04396	SUPRA 7 - KORA DOUBLE WINDOW HANDLE	7	112	26 ÷ 85	Closed	Open	X		X	X	5
04397	SUPRA 7 - PRIMA DOUBLE WINDOW HANDLE	7	112	26 ÷ 85	Closed	Open	X		X	X	5
04398	SUPRA 7 - ARIA DOUBLE WINDOW HANDLE	7	112	26 ÷ 85	Closed	Open	X		X	X	5