

## SUPRA 7 - MECHANISMS



### Functions

Innovative reversible mechanism system without washer, which can be used for moving window sashes with different types of opening, having mechanisms compatible with 7 mm square pins.

Online data sheet



### Technical Features

The Supra 7 window handles can be combined with the Giesse sash, Tilt-and-turn, Side Hung, Top Hung and Sliding movements and mechanisms which have a rotor with a 7 mm square hole.

The product, due to its exclusive design, can be combined with all the other Giesse products in the same line intended for other types of sashes (door, handles for lift-and-slide etc.).

The mechanism / movement must be firmly and independently fixed to the sash profile and receive the motion from the 7 mm pin of the Supra 7 window handle.

The machining to be carried out on the sash profile is simple and fast and Giesse has created 2 drilling templates to facilitate the operations (art. 03546 and art. 03547).

The product application takes place in 2 steps: first of all the base is fixed, with the integrated 7 mm pin, to the sash profile by means of the 4 TORX screws and then, after having pressed the handle firmly on the base, the pre-assembled grub screw is completely screwed onto the handle.

The grub screw, during the screwing operation, shears the steel of the square pin, guaranteeing a solid and durable handle fixing.

The supply includes 2 snap disks to be chosen based on the geometry of the sash profile.

The 7 mm square pin protrudes from the window handle support plane of 45 mm.

On request the length of the pin can be changed.

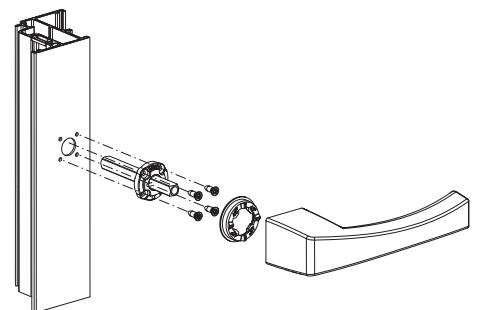
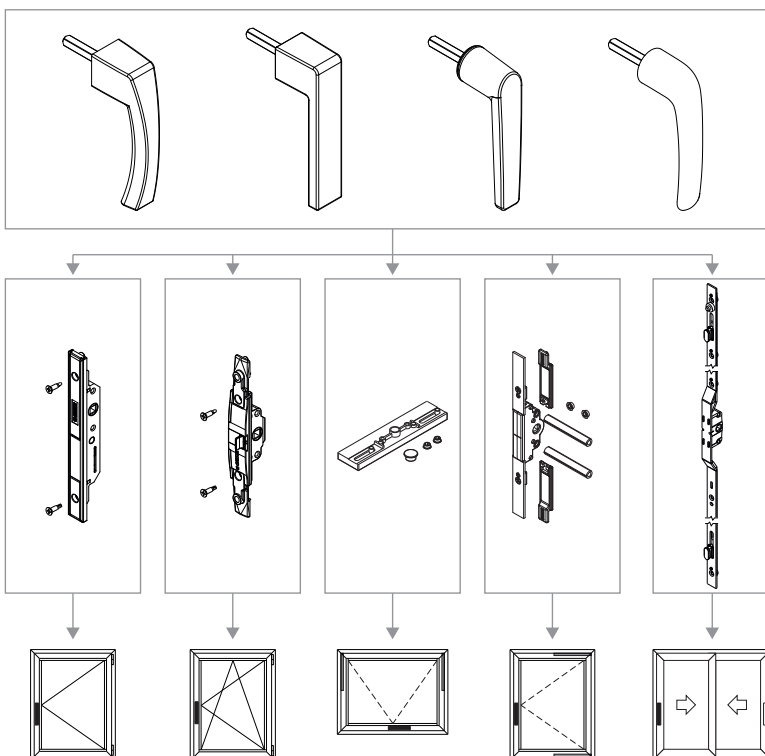
### Materials

Handle in die-cast aluminium

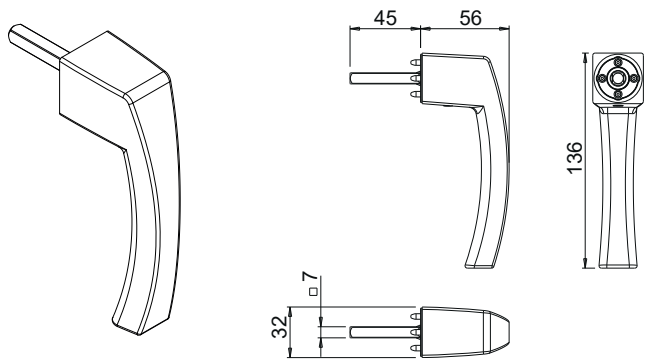
Internal components made of GS SILVER PLUS zamak, zinc plated steel and white polyamide

Zinc plated steel fixing screws, with Eslock treatment

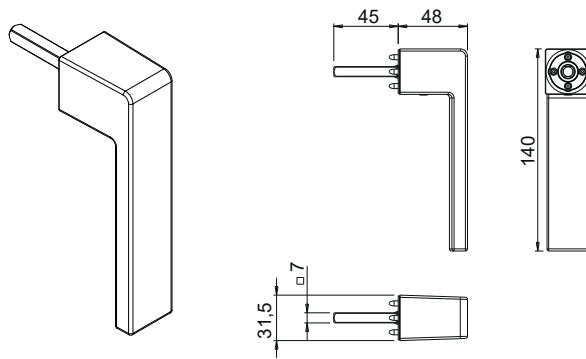
SUPRA 7 system



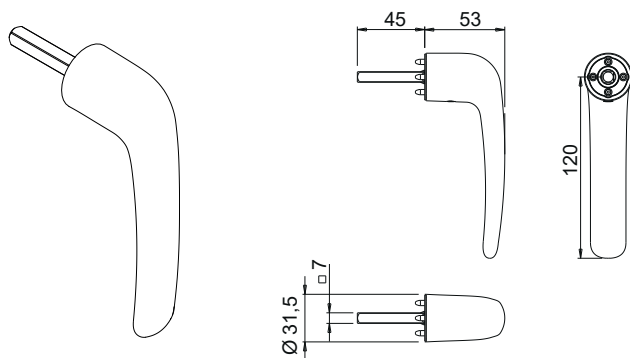
04153



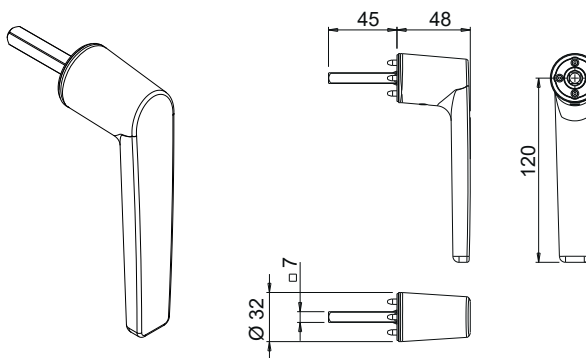
04154



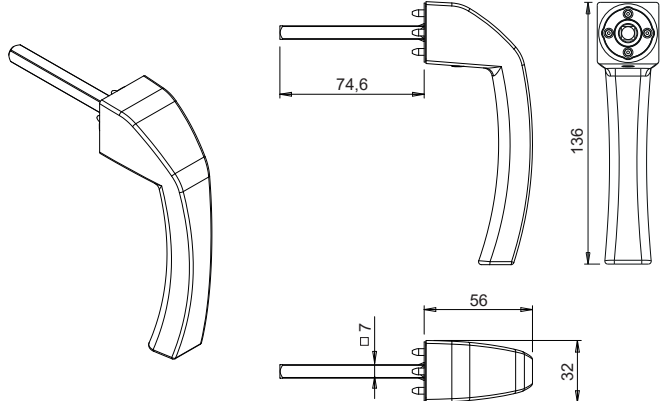
04155



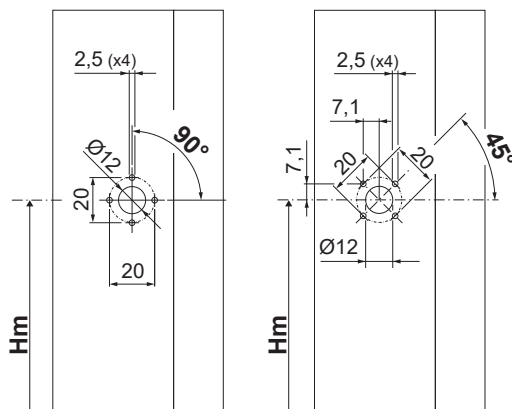
04156



04164



Fixing with 45° or 90° machining



Item code	Description	Note	Base Raw	Anodised Elox	Painted	Trend/Gold Brass	Pieces per pack
04153	SUPRA 7 - ASIA MECHANISM		X		X	X	10
04154	SUPRA 7 - KORA MECHANISM		X		X	X	10
04155	SUPRA 7 - PRIMA MECHANISM		X		X	X	10
04156	SUPRA 7 - ARIA MECHANISM		X		X	X	10
04164	SUPRA 7 - ASIA APEX MECHANISM		X		X	X	10