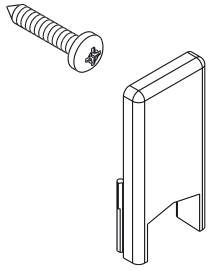


MACHINING COVERS



Functions

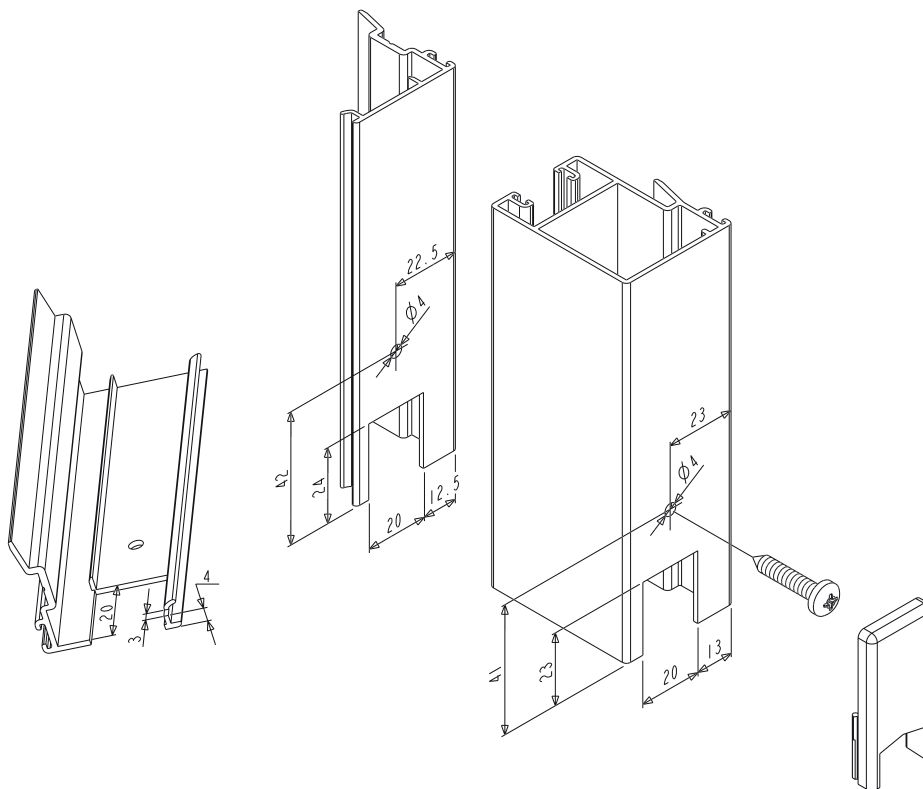
Cap covering the machining on the central upright of sliding sashes.
Fixing is by means of a self-tapping screw.

Online data sheet



Materials

Black polyamide cap
Zinc plated steel screw



Item code	Description	Note	Base Raw	Anodised Elox	Painted	Trend/Gold Brass	Pieces per pack
03144	MACHINING COVERS		X				50