

## MACHINING COVER

### Functions

Cap covering the machining on the central upright of sliding sashes.

Online data sheet

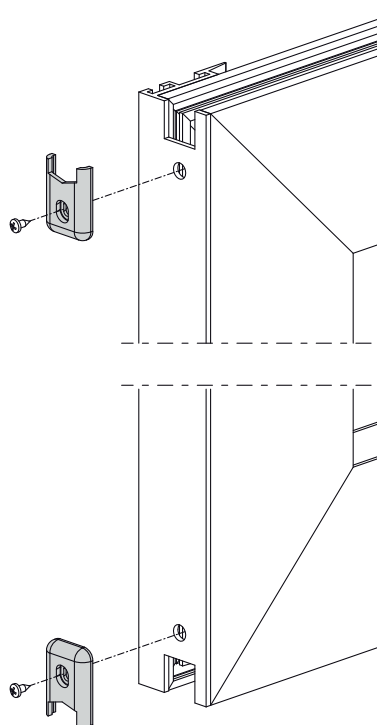
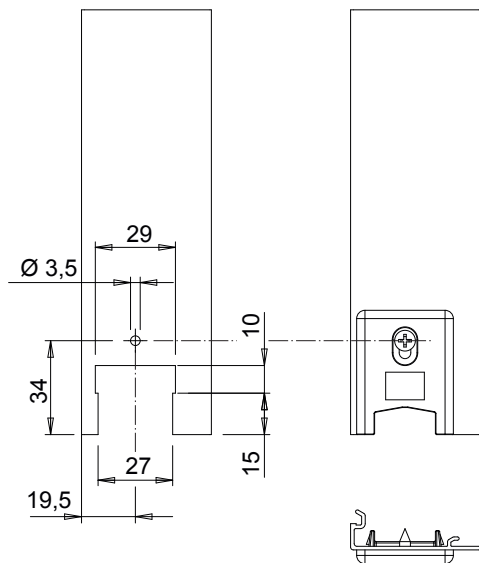
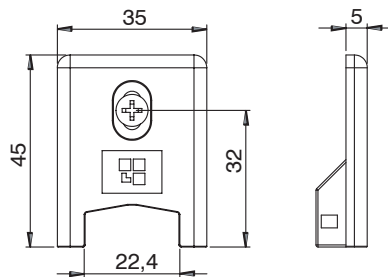


### Technical features

Fixing is by means of a self-tapping screw.

### Materials

Black polyamide cap  
Zinc plated steel screw



Item code	Description	Note	Base Raw	Anodised Elox	Painted	Trend/Gold Brass	Pieces per pack
03462	MACHINING COVER		X				200