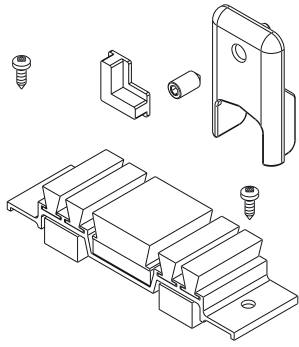


MACHINING COVER



Functions

Package includes 4 central upright caps, 8 sash guide plugs and 2 dust-proof covers for a window or sliding door made of aluminium.

Online data sheet



Technical features

The machining caps improve the appearance of the sash by covering the machining on the central upright.

The sash guiding plugs stabilize the sash and prevent the pulley from being able to come off the rail.

The dust cap fits to the upper and lower cross beams of the fixed frame using self-tapping screws.

The sponge fits snugly against the sash to prevent dust and water entering.

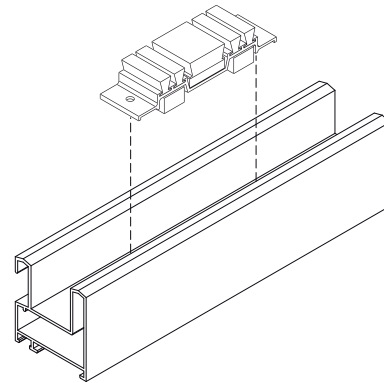
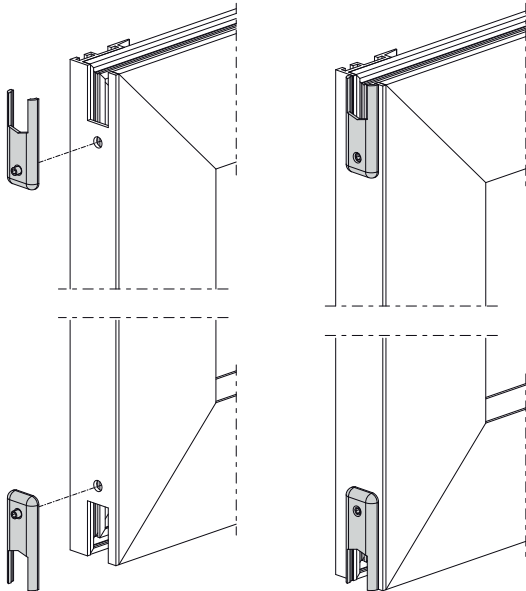
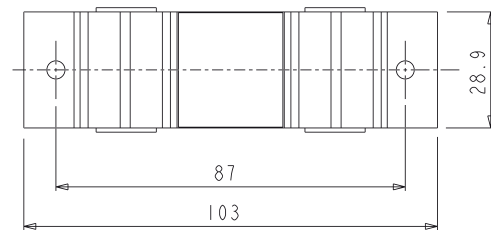
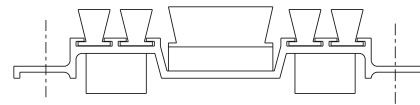
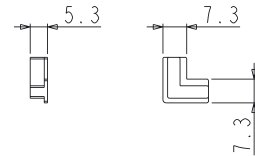
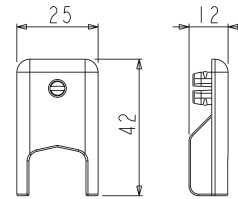
Materials

Black anodised extruded aluminium body

Screws and grub screws in zinc plated steel

Brushes and sponge in expanded EPDM

Cover for machining and sash guide in black polyamide



Item code	Description	Note	Base Raw	Anodised Elox	Painted	Trend/Gold Brass	Pieces per pack
01221	MACHINING COVER		X				100