

CONDENSATE PLUGS



Functions

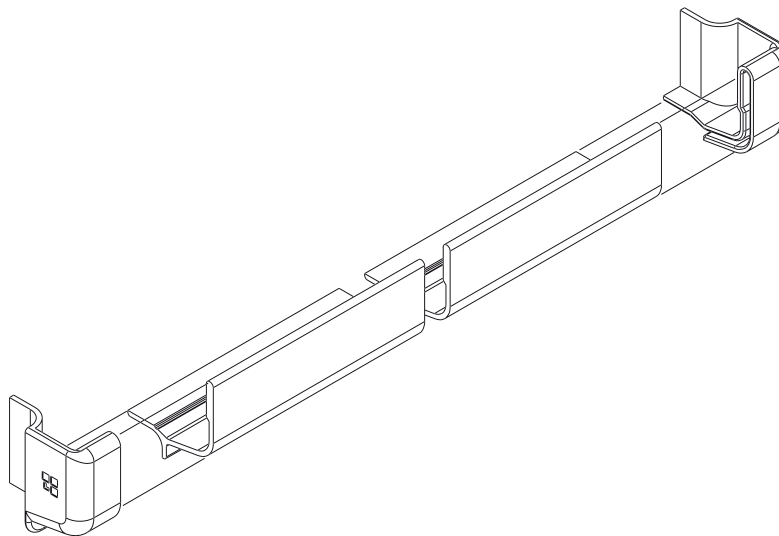
Pair of caps for condensation trap and/or drip profiles for aluminium windows.

Online data sheet



Technical Features

Black polyamide components to be used as infill of the ends of the condensation trap profile and/or drip profile, for press-fitting and lock with adhesives.



Item code	Description	Note	Base Raw	Anodised Elox	Painted	Trend/Gold Brass	Pieces per pack
03203	CONDENSATE PLUGS	right+left	X				50