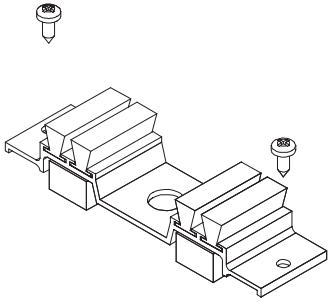


DUST-PROOF PLUG

Functions

Component designed to prevent dust and water passing into the interior of the sliding door/window.

Online data sheet



Technical features

The dust cap fits to the upper and lower cross beams of the fixed frame using self-tapping screws.

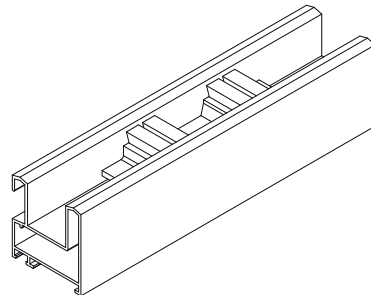
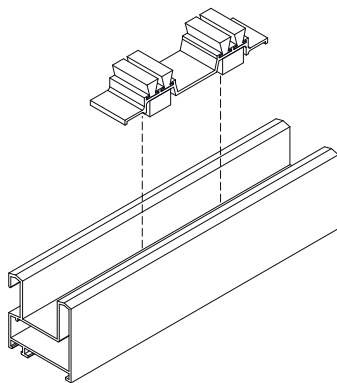
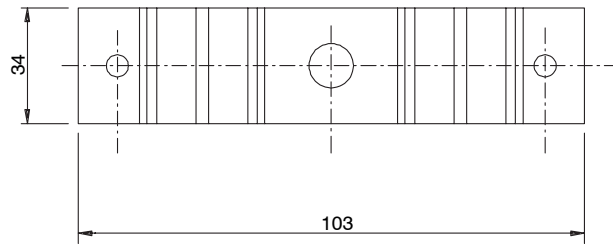
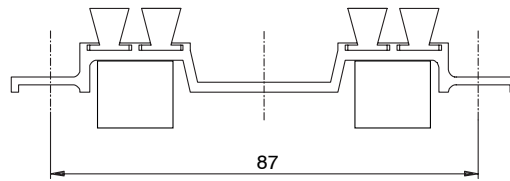
The sponge fits snugly against the sash to prevent dust and water entering.

Materials

Black anodised extruded aluminium body

Zinc plated steel screws

Brushes and sponge in expanded EPDM



Item code	Description	Note	Base Raw	Anodised Elox	Painted	Trend/Gold Brass	Pieces per pack
03314	DUST-PROOF PLUG	L= 34 mm	X				200