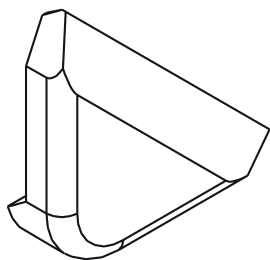


CORNER COVER PLUG



Functions

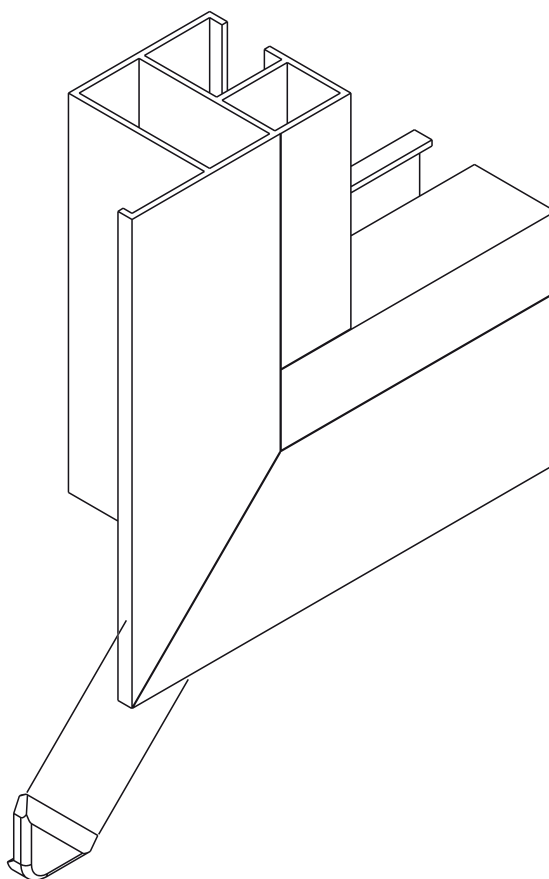
Polyamide component to be glued in the corners of the sashes to cover sharp edges.

Online data sheet



Materials

Black polyamide



Item code	Description	Note	Base Raw	Anodised Elox	Painted	Trend/Gold Brass	Pieces per pack
02394	CORNER COVER PLUG	black polyamide	X				500