

MACHINING COVER

Functions

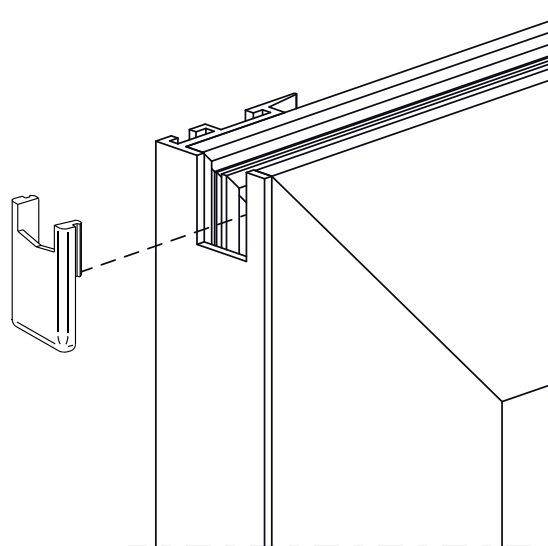
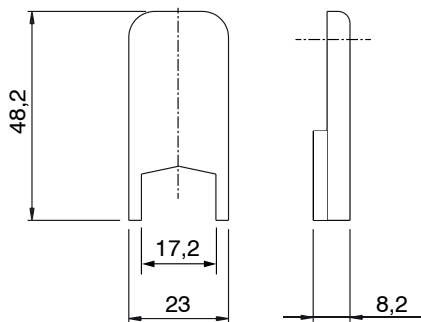
Cap covering the machining on the central upright of sliding sashes. Fixing takes place by snap-fitting.

Online data sheet



Materials

Black polyamide cap



Item code	Description	Note	Base Raw	Anodised Elox	Painted	Trend/Gold Brass	Pieces per pack
03479	MACHINING COVER		X				100