

EXPANSION DOWELS

Functions

Expansion dowels for rapid fixing of DOMINA HP, DOMINA HP COVER and DOMINA CLASSIC hinges to profile without thermal break.

Online data sheet



Technical Features

Fixing system for Domina HP, HP Cover and Domina Classic hinges comprising plug, special expansion bush to be located at the holes of the hinge leaf, and M8 screw with special socket head driven by hex key (*).

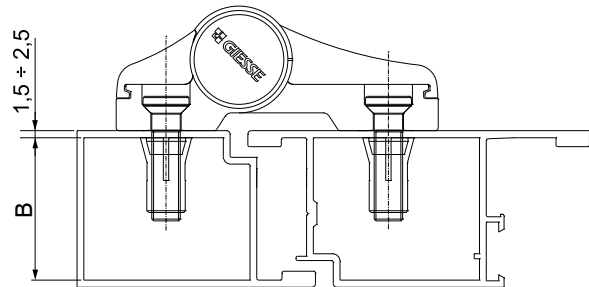
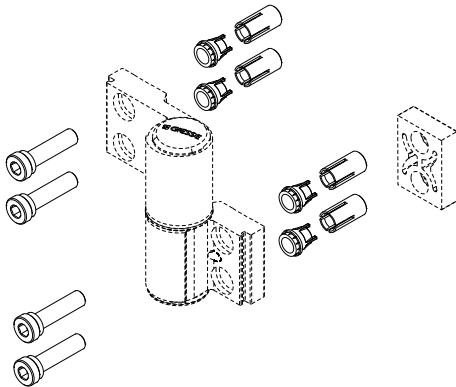
When fitting plugs, the profile must be prepared by drilling a Ø11 mm hole with the aid of machining templates item 03237, item 05052 and item 05050 (specifically for corner hinges).

(*) Except for HP, HP Cover and Classic hinge, c/c distance 55.5.

Materials

Plug and screw with special head, zinc-coated steel

Expansion bush, zamak



Item code	Description	B [mm]	Base Raw	Anodised Elox	Painted	Trend/Gold Brass	Pieces per pack
0520401	EXPANDING PLUG FOR single sealed unit PROFILE - DOMINA HP, DOMINA HP COVER AND DOMINA CLASSIC FLUSH/ONE-PIECE	≥ 30	X				20
0520501	EXPANDING PLUG FOR single sealed unit PROFILE - DOMINA HP, DOMINA HP COVER AND DOMINA CLASSIC WITH STEP	≥ 30	X				20