

BRAVO FLAT HANDLE - PRIMA LINE



Functions

Reversible lever handle for outdoor application for top-hung windows and pivoting windows. The BRAVO flat handle provides continuity for the PRIMA line also for top-hung and pivoting windows.

Online data sheet

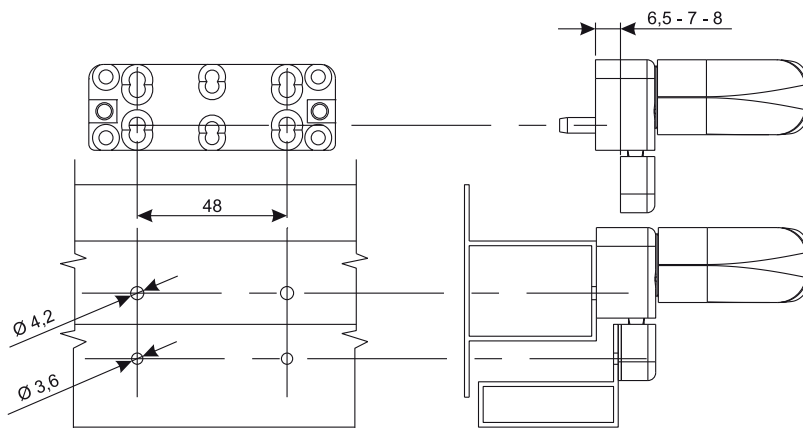
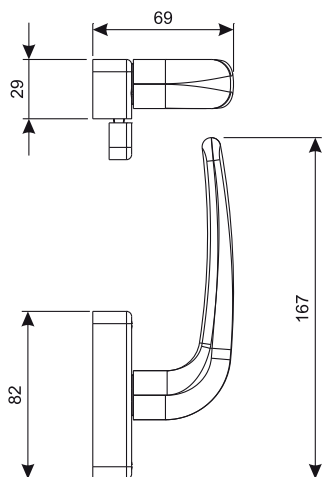


Technical Features

Specific for step 6.5-7-8 mm.
Side reversal possible by reversing the handle and the limit stop inside the case.
Reduced machining on the profiles.

Materials

Handle and case in painted die-cast aluminium
Die-cast zamak plate
Nib in white die-cast zinc plated Zamak
Zamak keeper plate
Black polyamide shims, bush and stop
Zinc plated steel plate and keeper plate fixing screws
Stainless steel case fixing screws



Item code	Description	Profile	Step (mm)	Base Raw	Anodised Elox	Painted	Trend/Gold Brass	Pieces per pack
01640N	BRAVO FLAT HANDLE-PRIMA LINE	Overlap	6,5 - 7 - 8	X		X		20
01642N	BRAVO FLAT HANDLE-PRIMA LINE	Flush		X		X		20